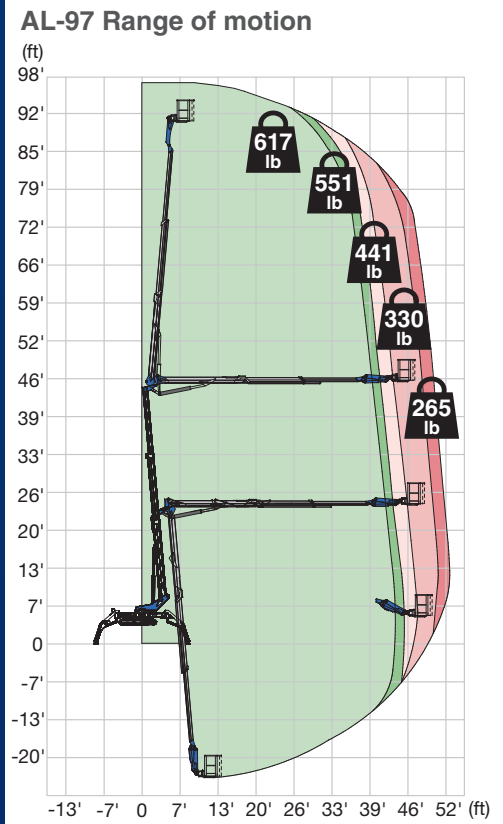


# AL-97

## SELF-PROPELLED TRACKED AERIAL PLATFORM

### MODEL HIGHLIGHTS

- Safety, Reliability, Performance
- Transport width: 2' 11"
- Adjustable tracks: height / width
- Multiple outrigger settings
- Compact design for highest transport efficiency



Model	AL-97
Max. platform capacity	617 lb
Platform size	4' 7" x 3' 7" x 2' 3"
Max. work height	97'
Max. outreach	54'

**Model** **AL-97**

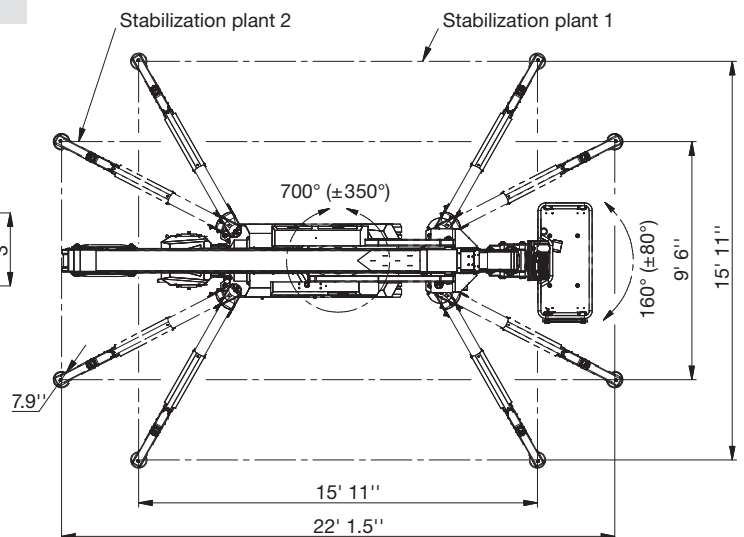
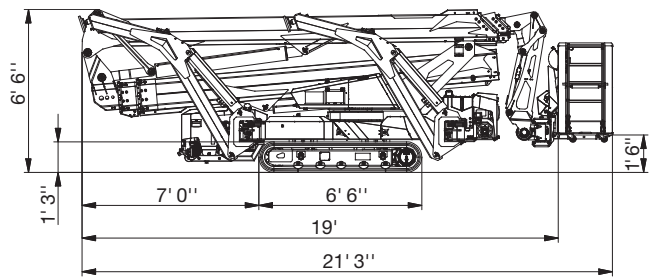
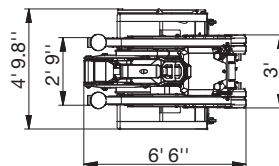
SPECIFICATIONS	
Max. work height	97'
Max. platform height	91'
Max. platform capacity	617 lb
Max. outreach	54'
Transport dimensions (L x H x W)	21' 3" x 6' 6" x 2' 11"
Jib length	4' 8"
Jib rotation	180°
Platform size (L x W x H)	4' 7" x 3' 7" x 2' 3"
Turntable rotation (non-continuous)	700° (+/- 350°)
Platform rotation	160° (+/- 80°)
Entry angle	16° (28.6%)
Exit angle	27° (50.9%)
Max. recovery angle	30° (57.7%)
Solid black rubber tracks	(Non-marking optional)
Machine weight	11,023 lb

TRAVEL	
Max. gradeability (travel mode)	19.3° (35 %)
Max. travel speed	1.55 mph
Max. ground pressure on tracks	15.52 psi
Max. ground pressure on stabilizers	67.17 psi

POWER SOURCE	
Engine type	Kubota Diesel D902-K 25 HP + AC 110 V

OPTIONS	
Engine type	Honda Gas iGX800 25 HP
Battery pack	73.6 V – 12 kWh 4 kW engine

SAFETY DEVICES	
Radio remote extend / retract controls	✓
Radio remote outrigger controls	✓
Automatic leveling / stabilization system	✓
Load – Unload system	✓
Variable outrigger footprints	✓
Emergency lowering system	✓
Homing – Memory Function	✓



January 2026. All specifications are subject to change. Consult Tadano for latest specifications.

**Tadano Ltd.**  
Kanda Square 18th Floor, 2-2-1 Kanda-Nishikicho, Chiyoda-ku, Tokyo 101-0054, Japan  
Phone: +81-3-6811-7309 (International Division)

[www.tadano.com](http://www.tadano.com)

**Manitex Inc.**  
3000 South Austin Avenue, Georgetown, TX 78626, USA, Phone: +1 (512) 942-3000

