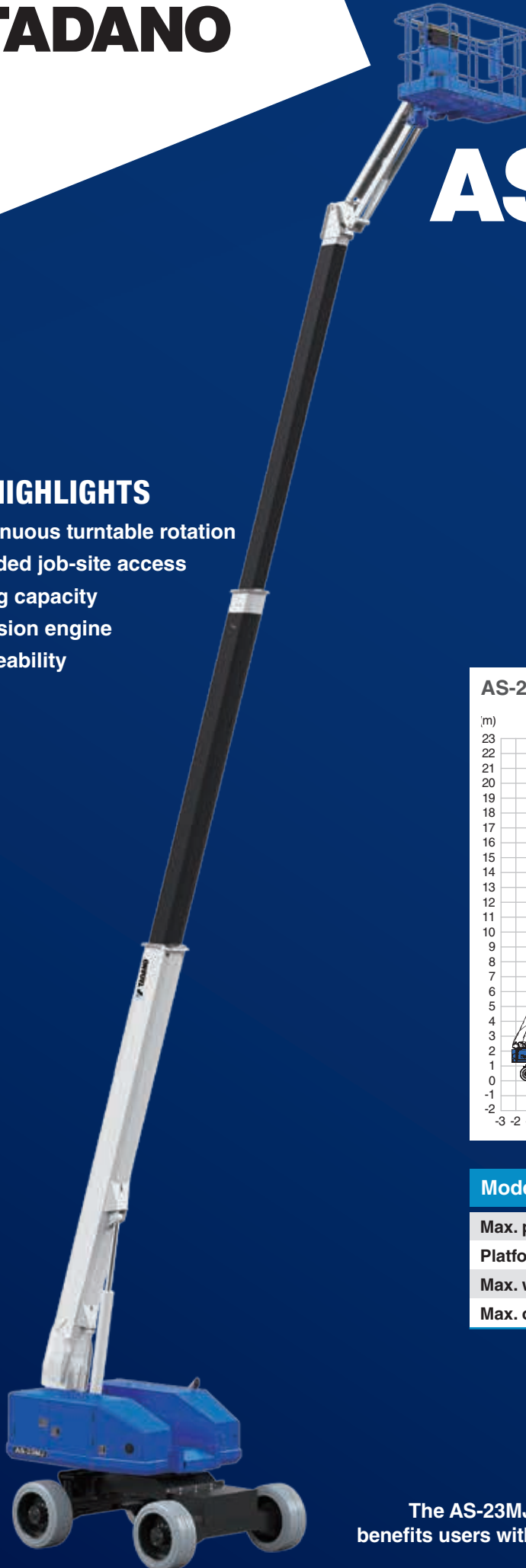


# AS-23MJ

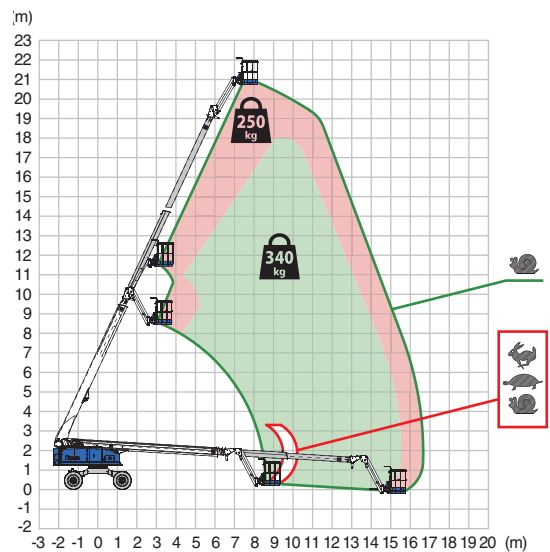
## TELESCOPIC BOOM

### MODEL HIGHLIGHTS

- 360° continuous turntable rotation
- Jib for added job-site access
- Dual lifting capacity
- Low emission engine
- 45% gradeability



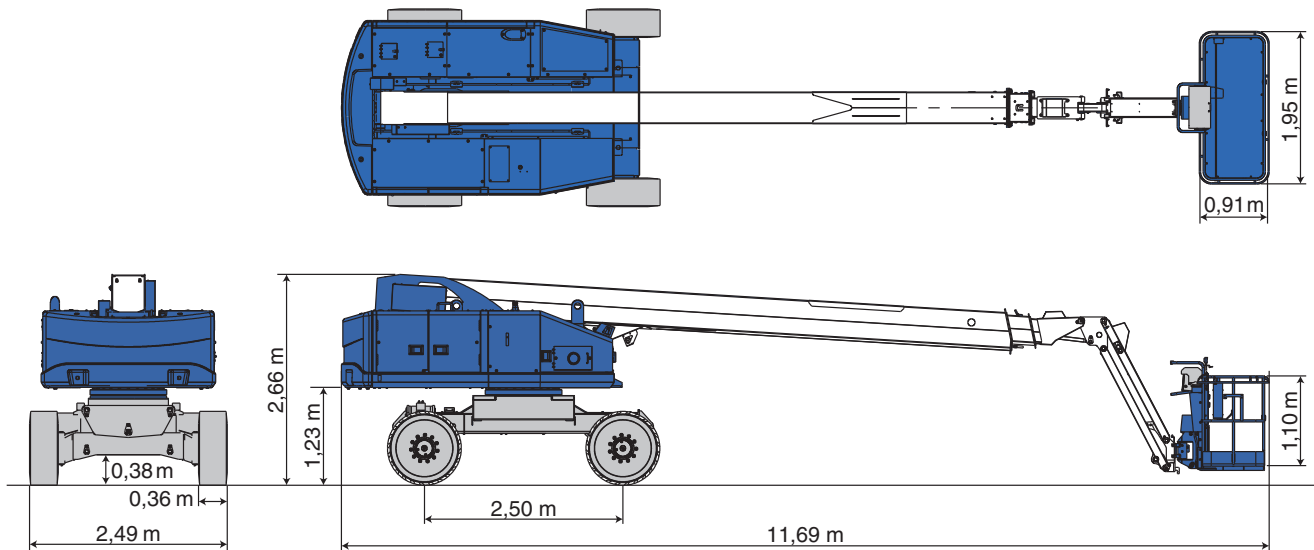
AS-23MJ Range of motion



Model	AS-23MJ
Max. platform capacity	340 kg / 250 kg
Platform size	1,95 x 0,91 x 1,10 m
Max. work height	22,90 m
Max. outreach	16,70 m

The AS-23MJ, with its cable track built-in the boom, benefits users with less maintenance frequency and cost.

Model		AS-23MJ	
<b>SPECIFICATIONS</b>		<b>POWER SOURCE</b>	
Max. work height	22,90 m	Engine type	Kubota V2607
Max. outreach	16,70 m	Rated power	36,7 kW / 2400 min <sup>-1</sup>
Allowable tilt	5°	Fuel tank capacity	130 l
Max. platform capacity	340 kg / 250 kg	<b>OPTIONS</b>	
Platform size (L x W x H)		8 ft platform	2,53 x 0,89 x 1,10 m
6 ft	1,95 x 0,91 x 1,10 m	Generator	5 kW
8 ft	2,53 x 0,89 x 1,10 m	LED lighting	
Platform rotation	L90° ~ R90°	<b>SAFETY DEVICES</b>	
Transport dims (L x W x H)	11,69 x 2,49 x 2,66 m	Emergency stop	✓
Machine weight	16.615 kg	Foot switch / Enabling switch	✓
AC outlet to platform (230 V)		Slew lock pin	✓
<b>TRAVEL</b>		Auxiliary lowering control	✓
Max. travel speed	4,8 km/h	Traveling restriction (on slope)	✓
Max. ground pressure	948,9 kPa	Operation restriction (on slope)	✓
Travel position ground pressure	482,3 kPa	Overload sensing system	✓
Max. gradeability	45%	Battery isolator switch	✓



#### For all our types:



March 2025. Unless otherwise specified, all information in this brochure refers to a standard equipment, and it is intended as general information only. No liability is assumed. Errors reserved. Product specifications and prices are subject to changes without notice. The photographs and/or drawings in this brochure are for illustrative purposes only. For correct and safe operation, the original operating manual and lifting capacity charts are essential. Failure to follow the corresponding Operator's Manual when using our equipment or failure to otherwise act responsibly may result in property damage, serious injury or death. The sole warranty applicable with respect to our equipment is the standard warranty as per general terms and conditions of sales and service (ask your local Tadano dealer for details), and Tadano makes no other warranty, express or implied. All rights reserved. Any use of the trademarks, logos, brand names and model names used herein is prohibited.

© Tadano Ltd. 2025

#### Tadano Ltd.

Kanda Square 18th Floor, 2-2-1 Kanda-Nishikicho, Chiyoda-ku, Tokyo 101-0054, Japan  
Phone: +81-3-6811-7309 (International Division)

info@tadano.com

www.tadano.com

#### Tadano Europe Holdings GmbH

Dinglerstr. 24, 66482 Zweibrücken, Germany, Phone: +49 (0) 6332 83-0

