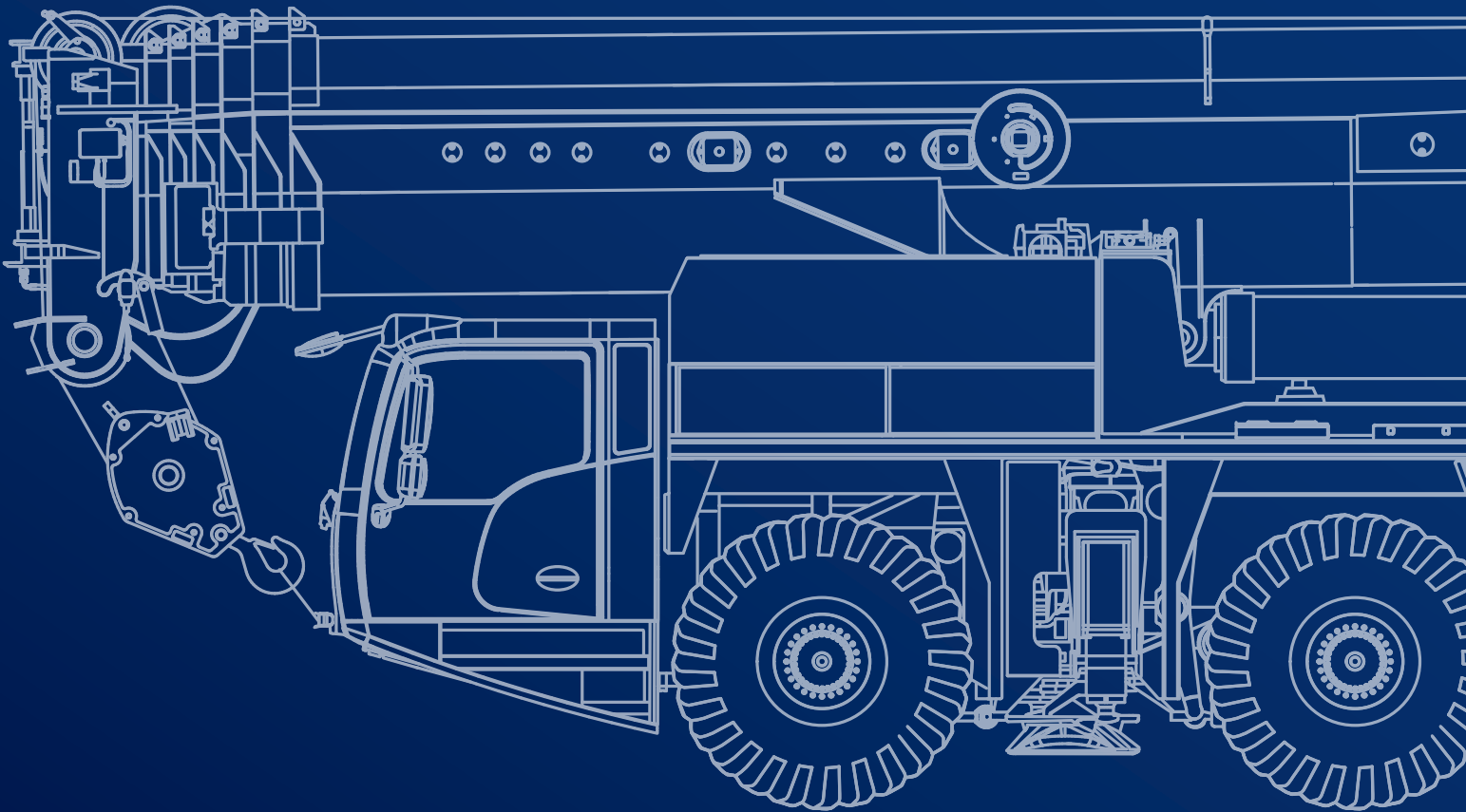


AC 5.250-2

300 US TON MAX. CRANE CAPACITY



- Suitable for alternative fuels





December 2024. Unless otherwise specified, all information in this brochure refers to a standard crane equipment, and it is intended as general information only. No liability is assumed. Errors reserved. Product specifications and prices are subject to changes without notice. The photographs and/or drawings in this brochure are for illustrative purposes only. For correct and safe crane operation, the original operating manual and lifting capacity charts are essential. Failure to follow the corresponding Operator's Manual when using our equipment or failure to otherwise act responsibly may result in property damage, serious injury or death. The sole warranty applicable with respect to our equipment is the standard warranty as per general terms and conditions of sales and service (ask your local Tadano dealer for details), and Tadano makes no other warranty, express or implied. All rights reserved. Any use of the trademarks, logos, brand names and model names used herein is prohibited.

© Tadano Ltd. 2024

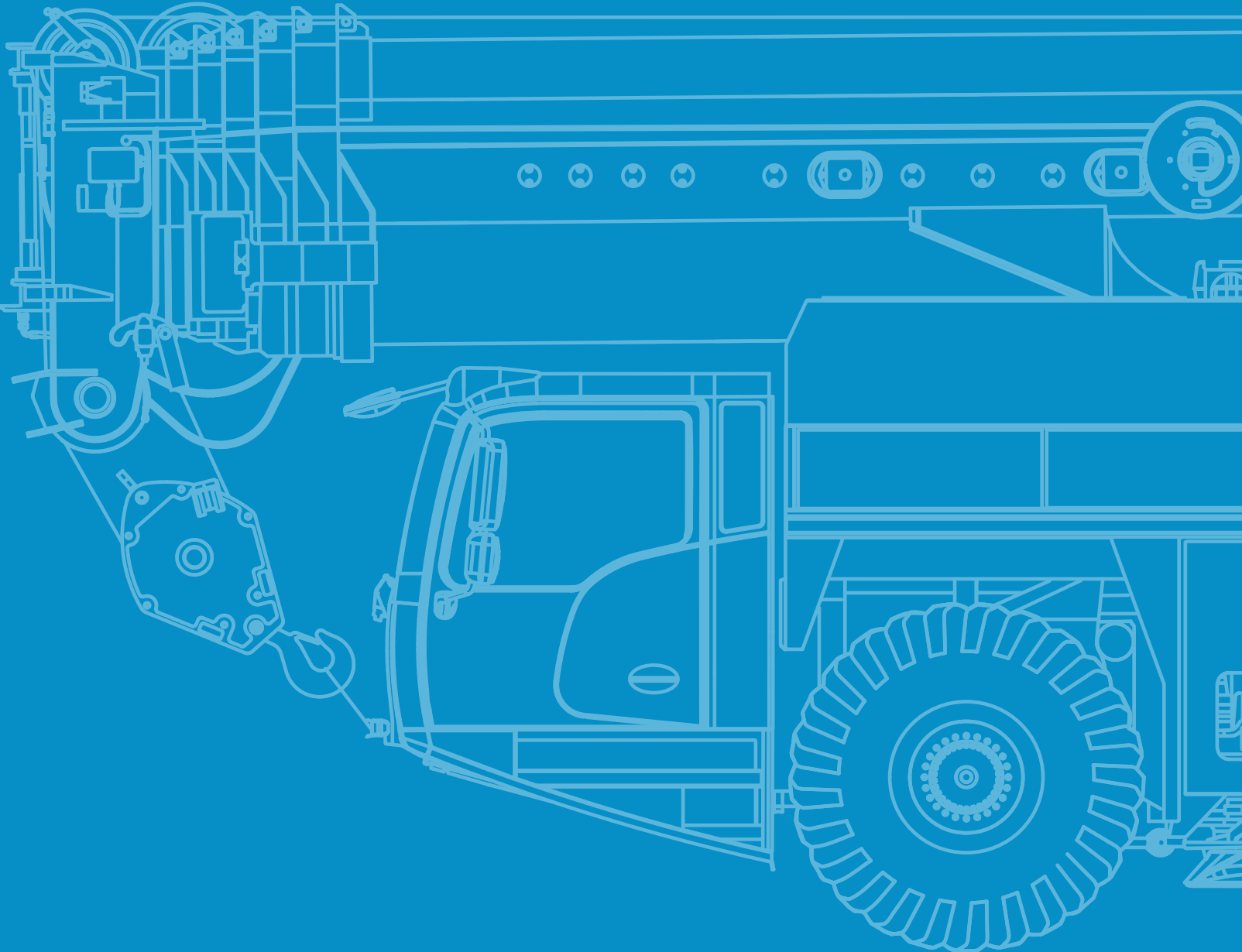
Contents

General	5
Vehicle dimensions	6
Boom combinations	7
On-road and off-road driving	9
Axle loads	10
Speeds and gradeability	10
Steering	10
Transportation	11
Counterweight	12-13
Configurations	12
Jib	14-16
Hoist 2	16
Operation	17
Main boom	19
Slewing	19
Hoist	19
Outrigger cylinders	19
Hook blocks	19
MB: Main boom	20-24
FOJ: Folding swing-away jib	26-34
Notes to Lifting Capacity	36
Technical Description	37
Basic machine	38
Additional equipment	39

Key

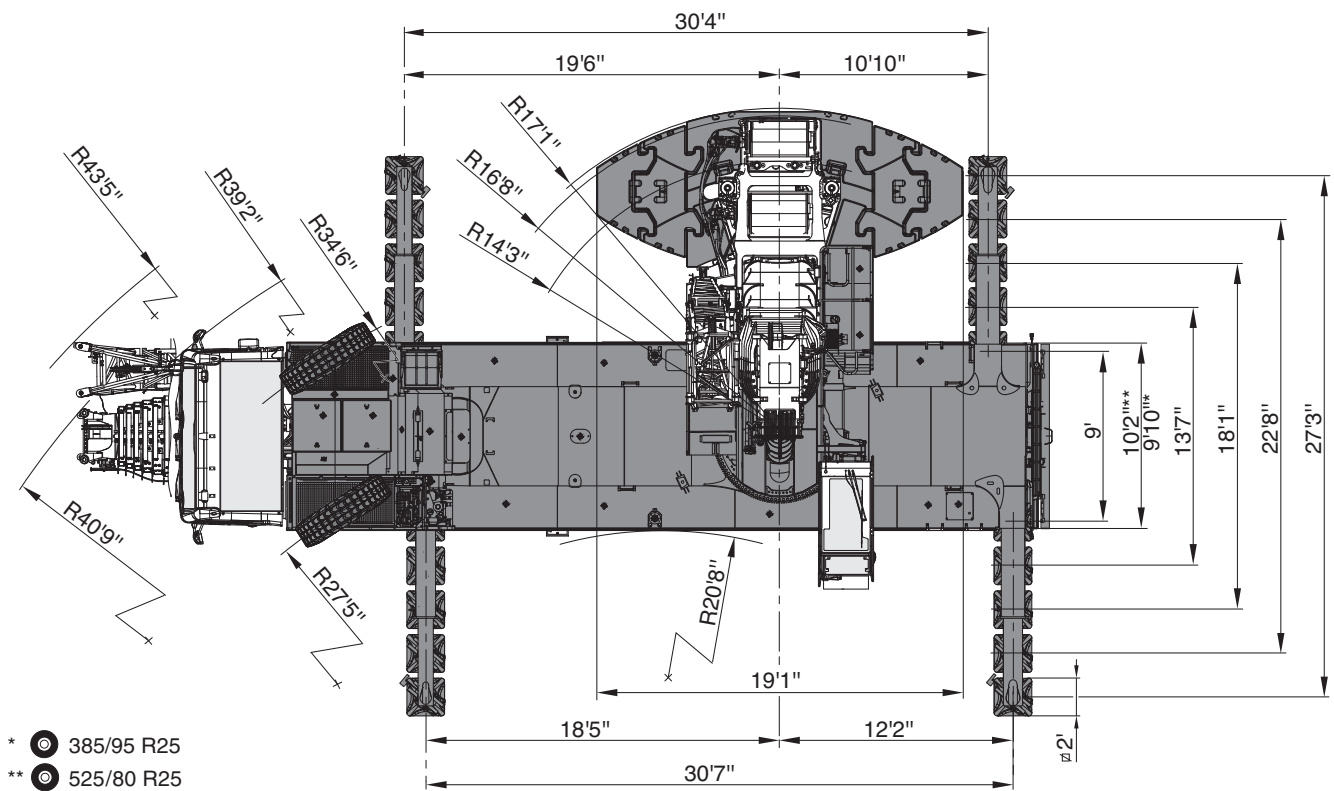
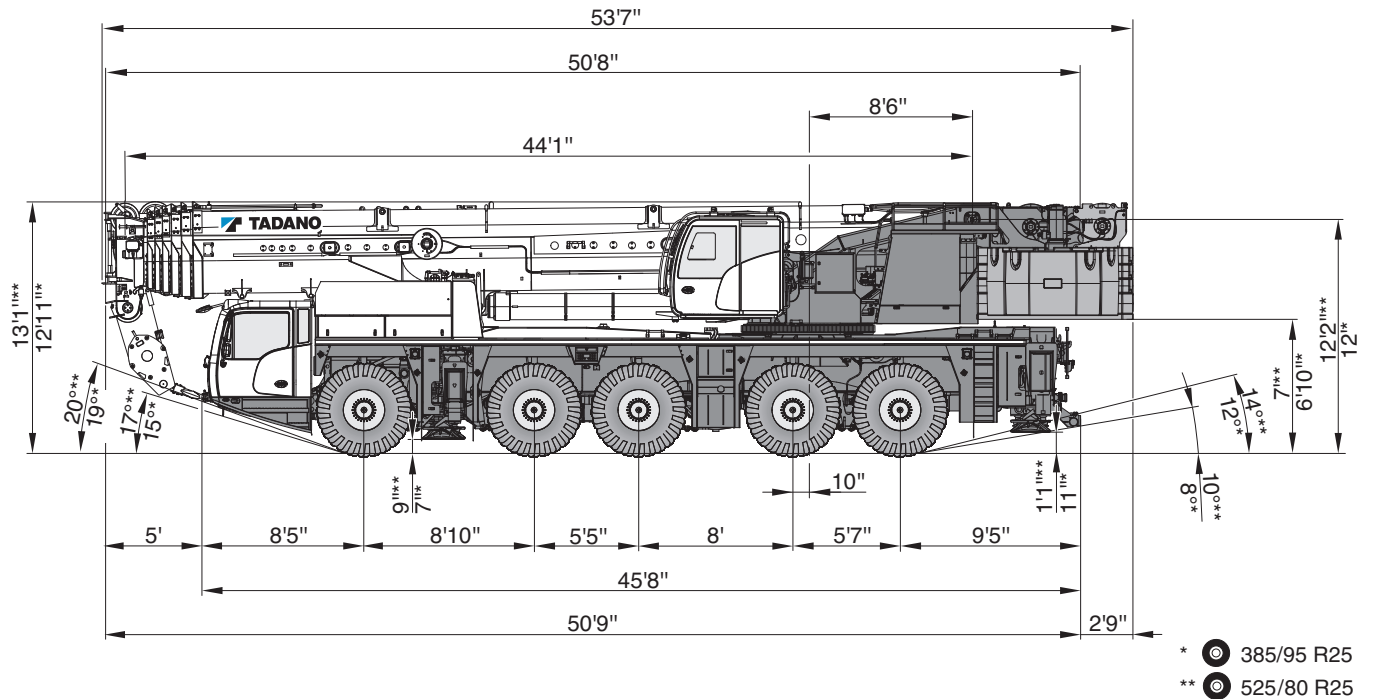
	Counterweight		Working speeds
	Lifting capacities on outriggers · 360°		Slewing
	Radius		Max. line pull
	Main boom		Rope diameter
	Folding swing-away jib		Rope length
	Runner		Hook block
	Max. axle loads		Number of lines
	Mechanism		Possible load of hook block
	Tires		Weight of hook block
	Hook block		Distance head sheave axle – hook ground
	Hoist		Number of sheaves in hook block
	Travel speed		Max. outrigger load
	Gradeability		Length of stroke (support cylinders)
	Off road / On road		
	Boom telescoping		
	Boom elevation		

GENERAL TECHNICAL DATA



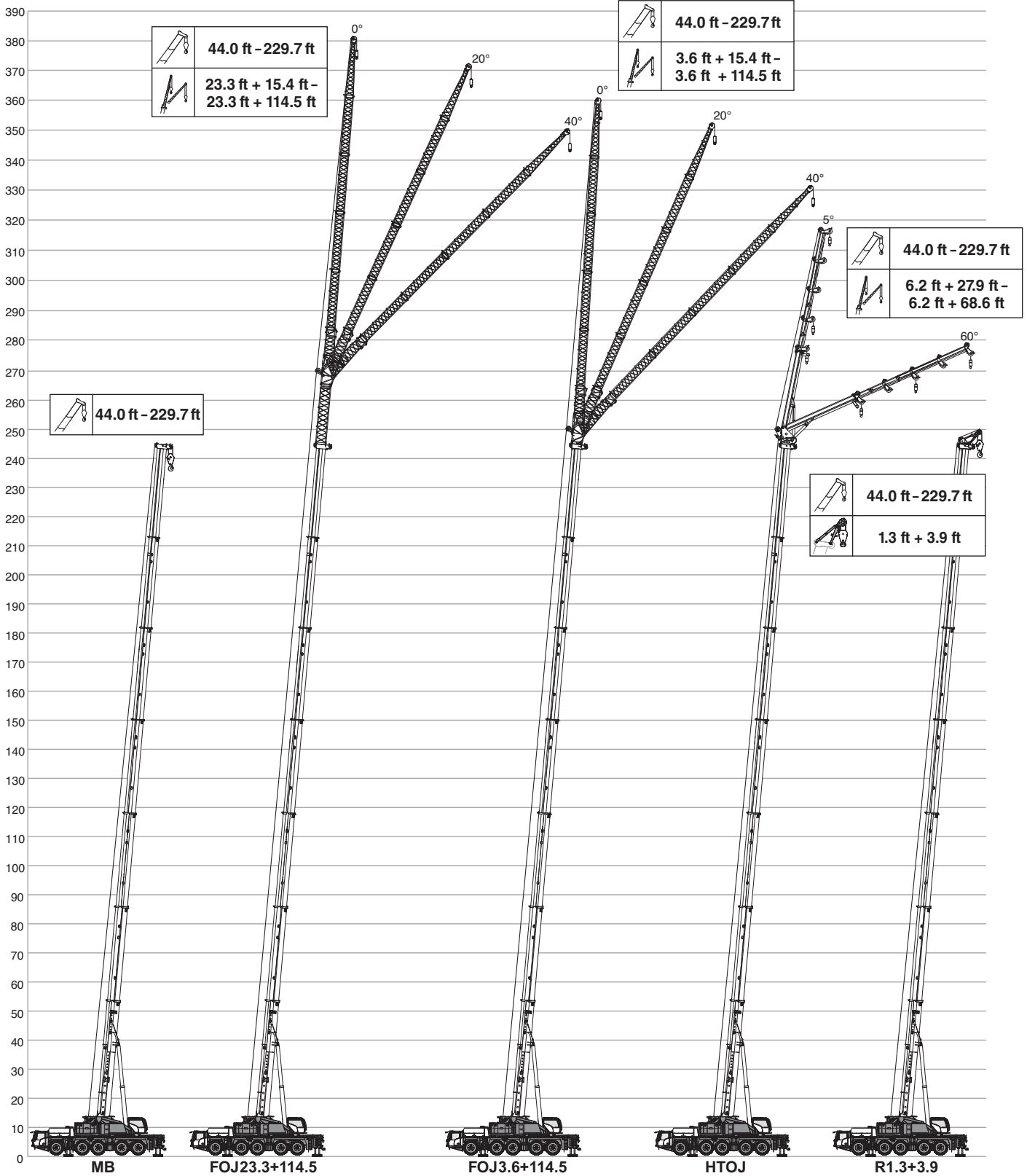
General

Vehicle dimensions

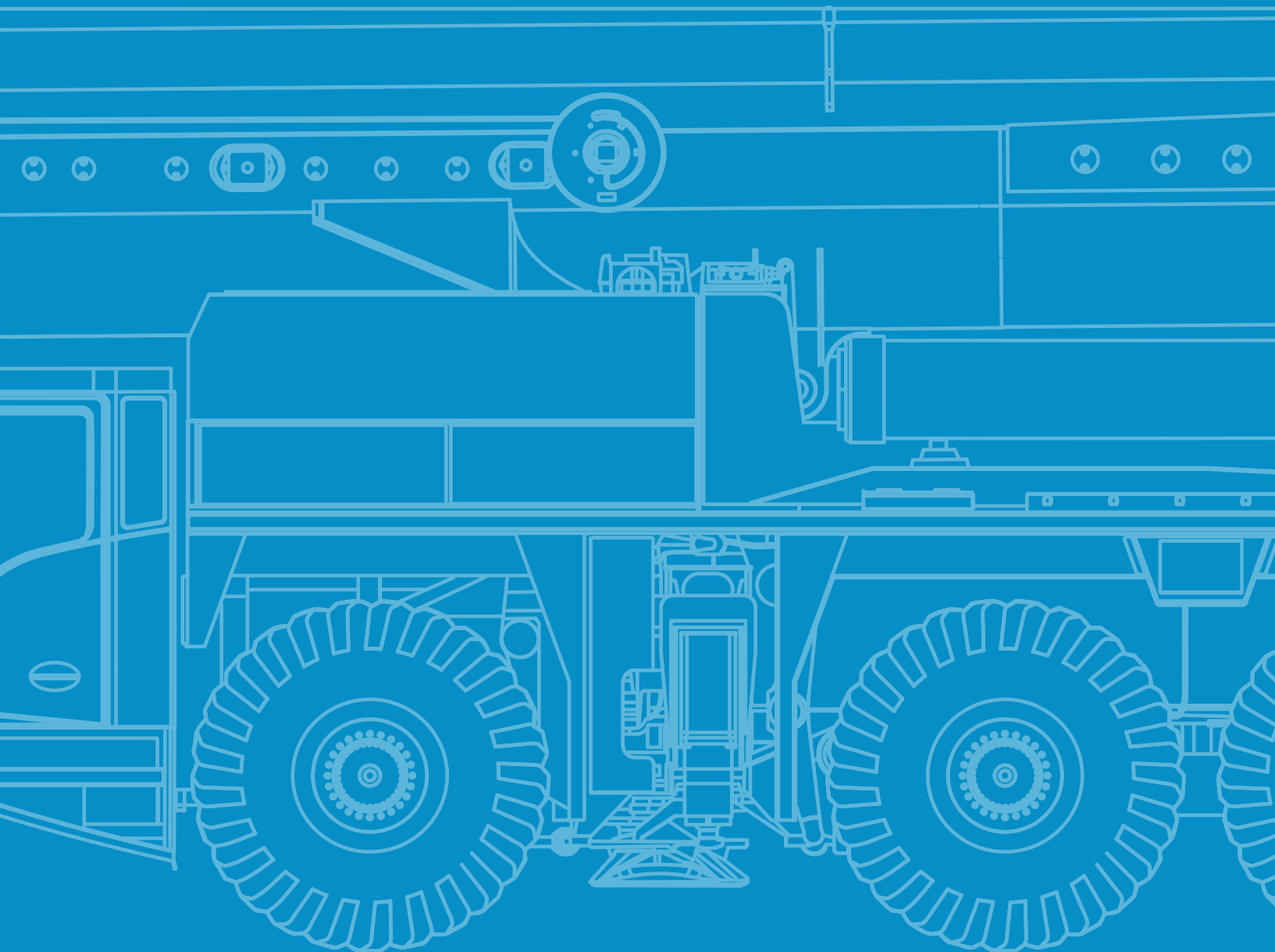


General

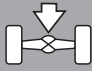
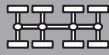




Boom combinations









TECHNICAL DATA FOR ON-ROAD AND OFF-ROAD DRIVING










On-road and off-road driving

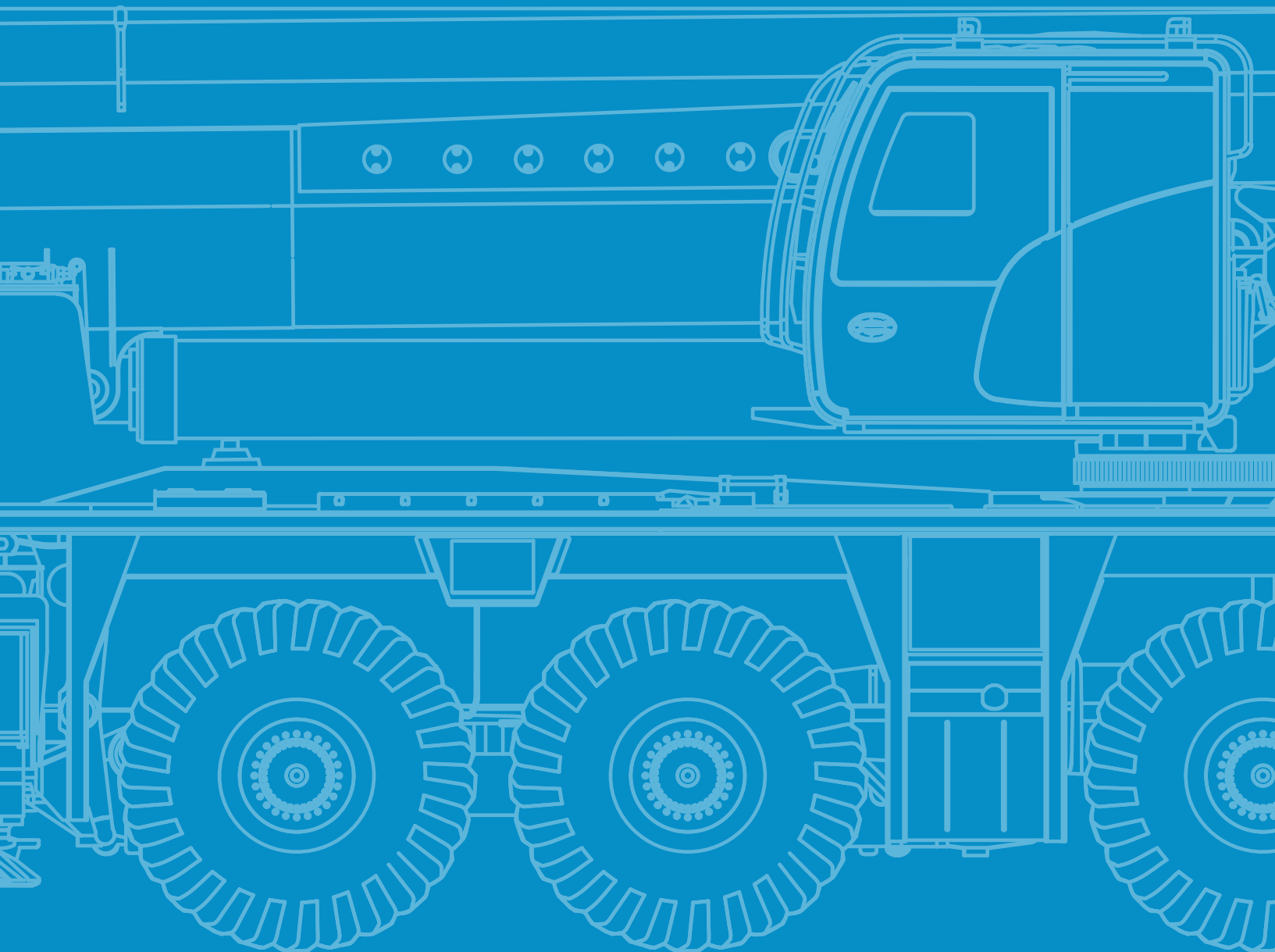
Axle loads						
	Total					
< 26,500 lbs	< 132,300 lbs	10 x 6 x 10	445/95R25	176,400 lbs	—	0 lbs
< 36,400 lbs	< 180,800 lbs	10 x 8 x 10	445/95R25	176,400 lbs / 22,050 lbs	3.6 ft + 35.8 ft	44,100 lbs

Speeds and gradeability			
	385/95 R 25 14.00 R 25	445/95 R 25 16.00 R 25	525/80 R 25 20.50 R 25
 % 	59 %	53 %	53 %
 % 	66 %	58 %	58 %
	49.7 mph ¹⁾	52.8 mph ¹⁾	52.8 mph ¹⁾

¹⁾ Depending on tire type, size and country specific legislation

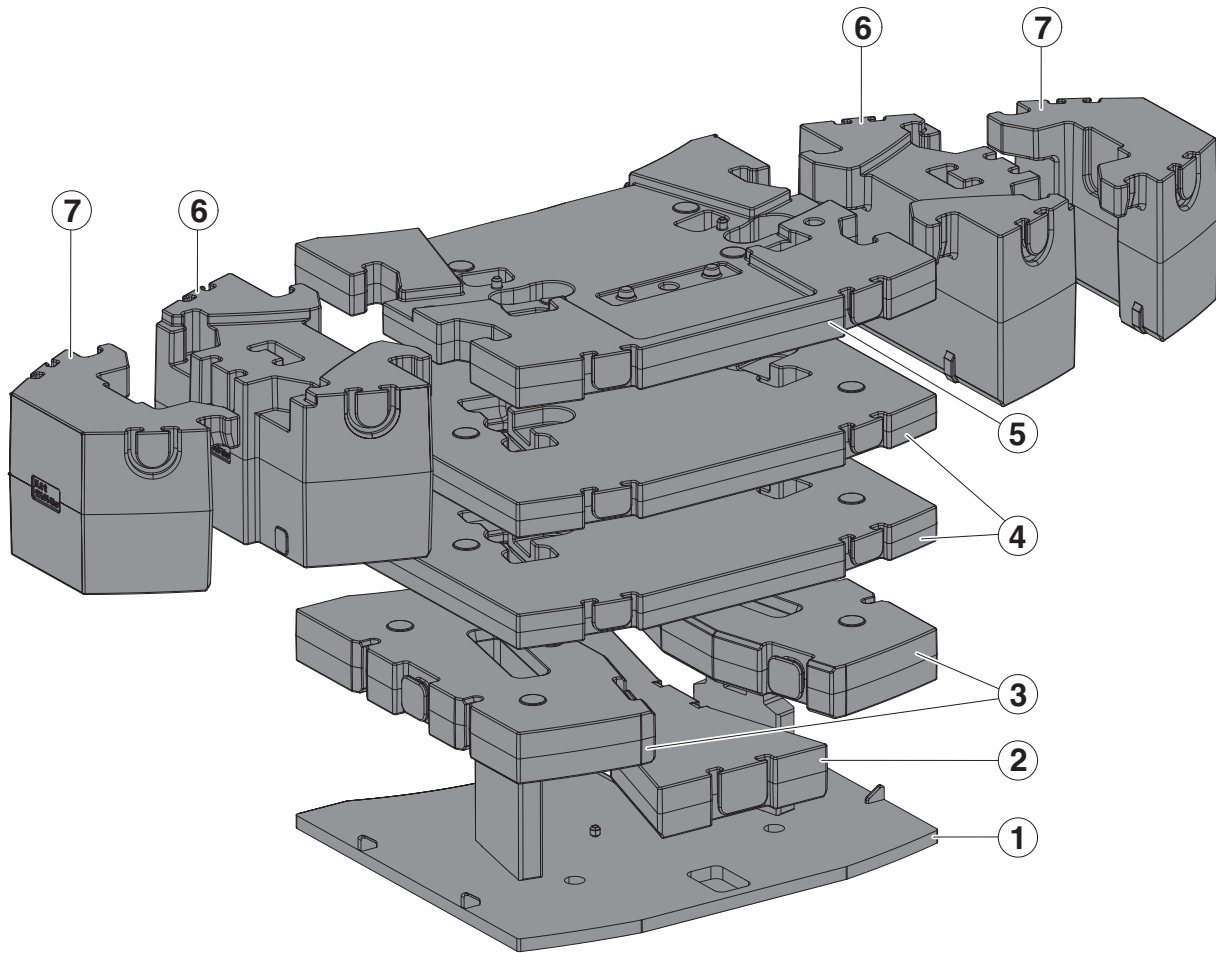
Steering	
	v < 18.6 mph
	18.6 mph ≤ v ≤ 24.9 mph
	v > 24.9 mph
	Manually steered
	Minimum turning radius
	Crab steer mode
	Off-wall

TECHNICAL DATA FOR TRANSPORT



Transportation

Counterweight

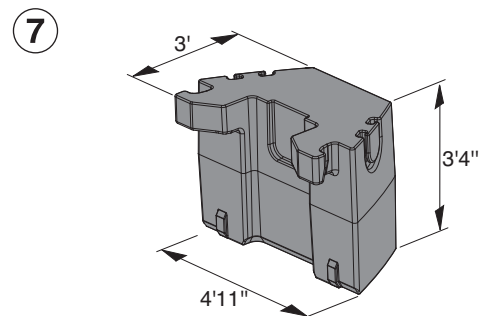
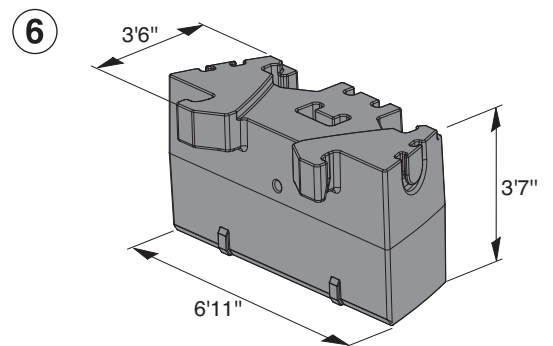
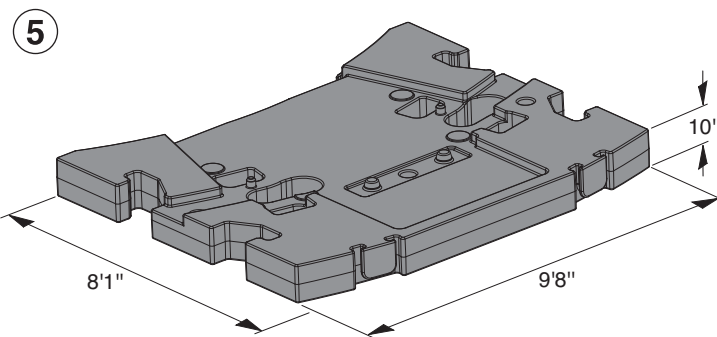
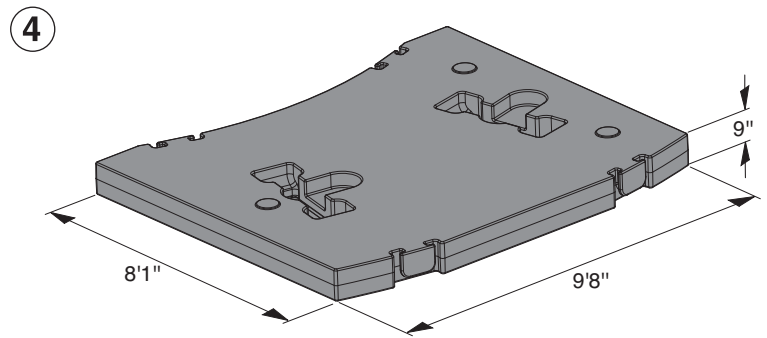
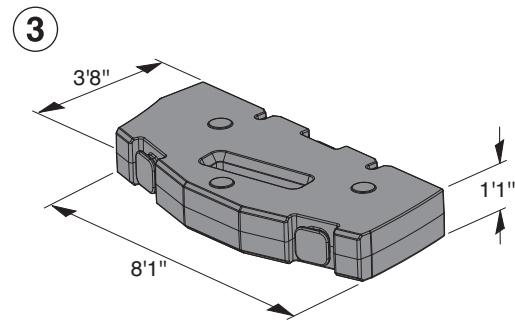
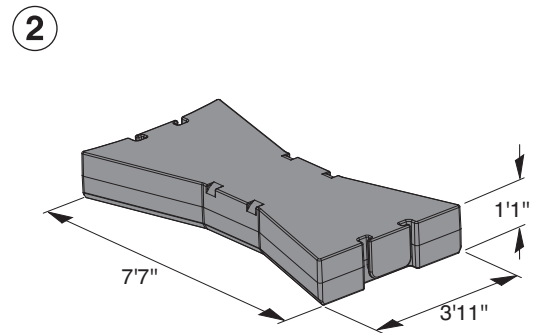
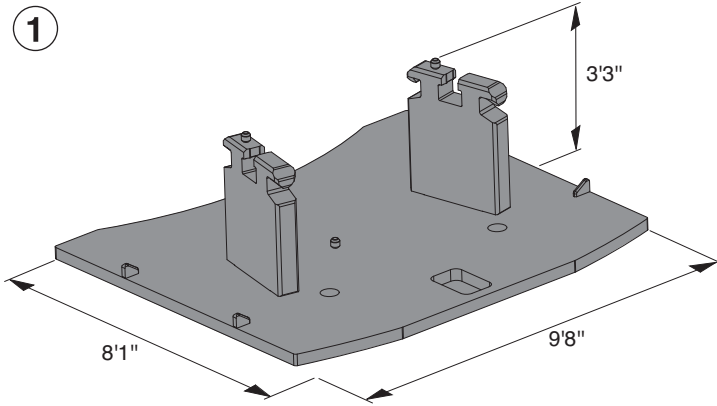


Configurations

lbs	12,150	34,200	44,100	56,250	66,150	78,300	88,200	99,450	109,400	122,450	132,350	143,550	153,450	166,550	176,400
① 12,150 lbs	1	1	1	1	1	1	1	1	1	1	1	1	1	1	1
② 9,900 lbs			1		1		1		1		1		1		1
③ 11,025 lbs		2	2	2	2	2	2	2	2	2	2	2	2	2	2
④ 22,050 lbs				1	1	2	2	2	2	2	2	2	2	2	2
⑤ 21,150 lbs								1	1	1	1	1	1	1	1
⑥ 22,050 lbs												2	2	2	2
⑦ 11,500 lbs										2	2			2	2

Transportation

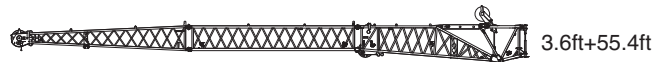
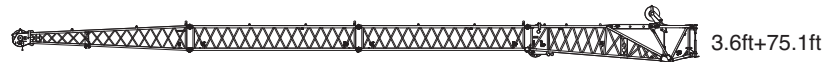
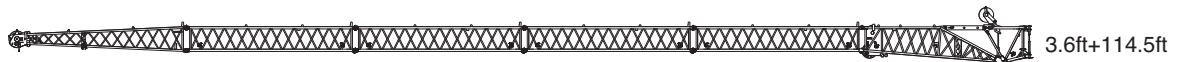
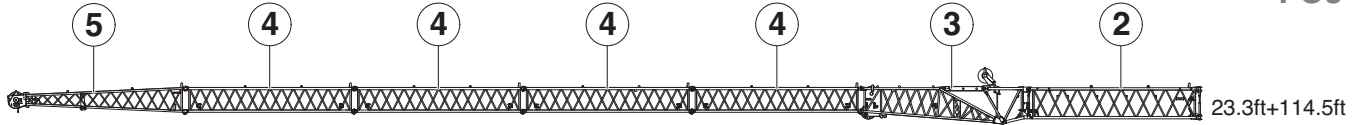
Counterweight



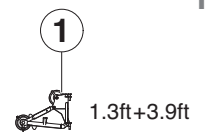
Transportation

Jib

FOJ



R

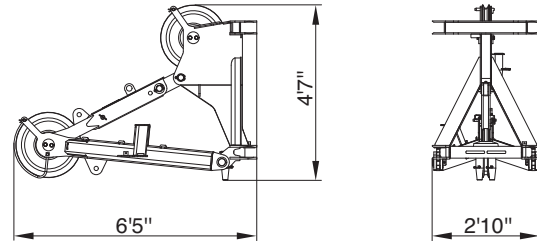


Transportation

Jib

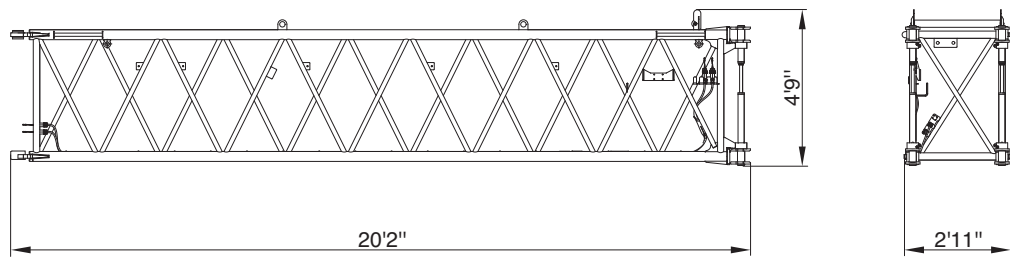
1

lbs
770



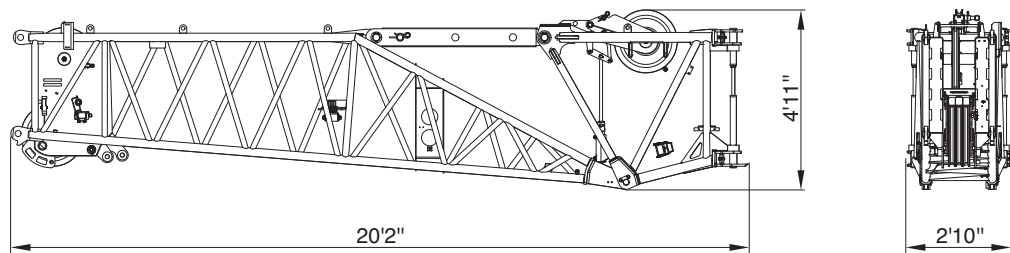
2

lbs
1,320



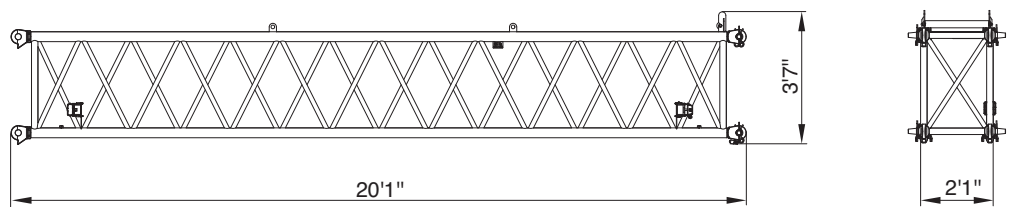
3

lbs
2,320



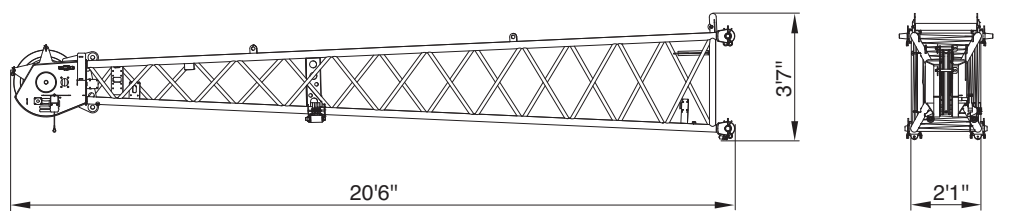
4

lbs
1,000



5

lbs
880

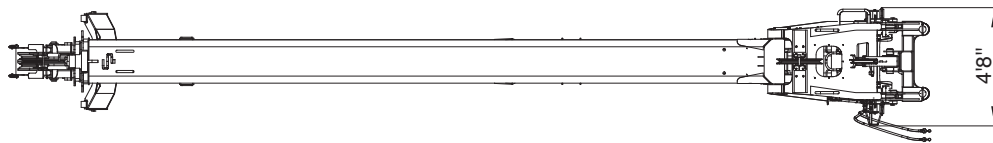
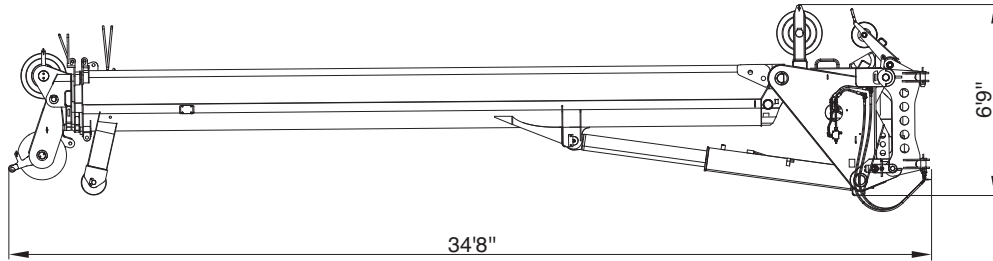


Transportation

Jib

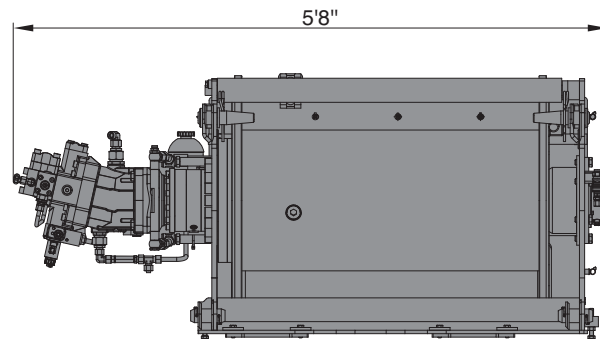
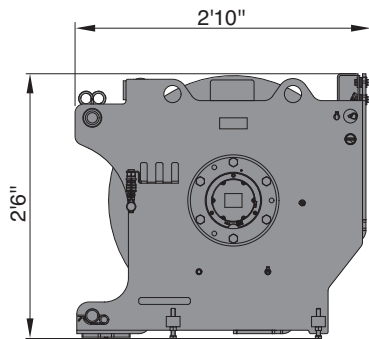
HTOJ


10,800

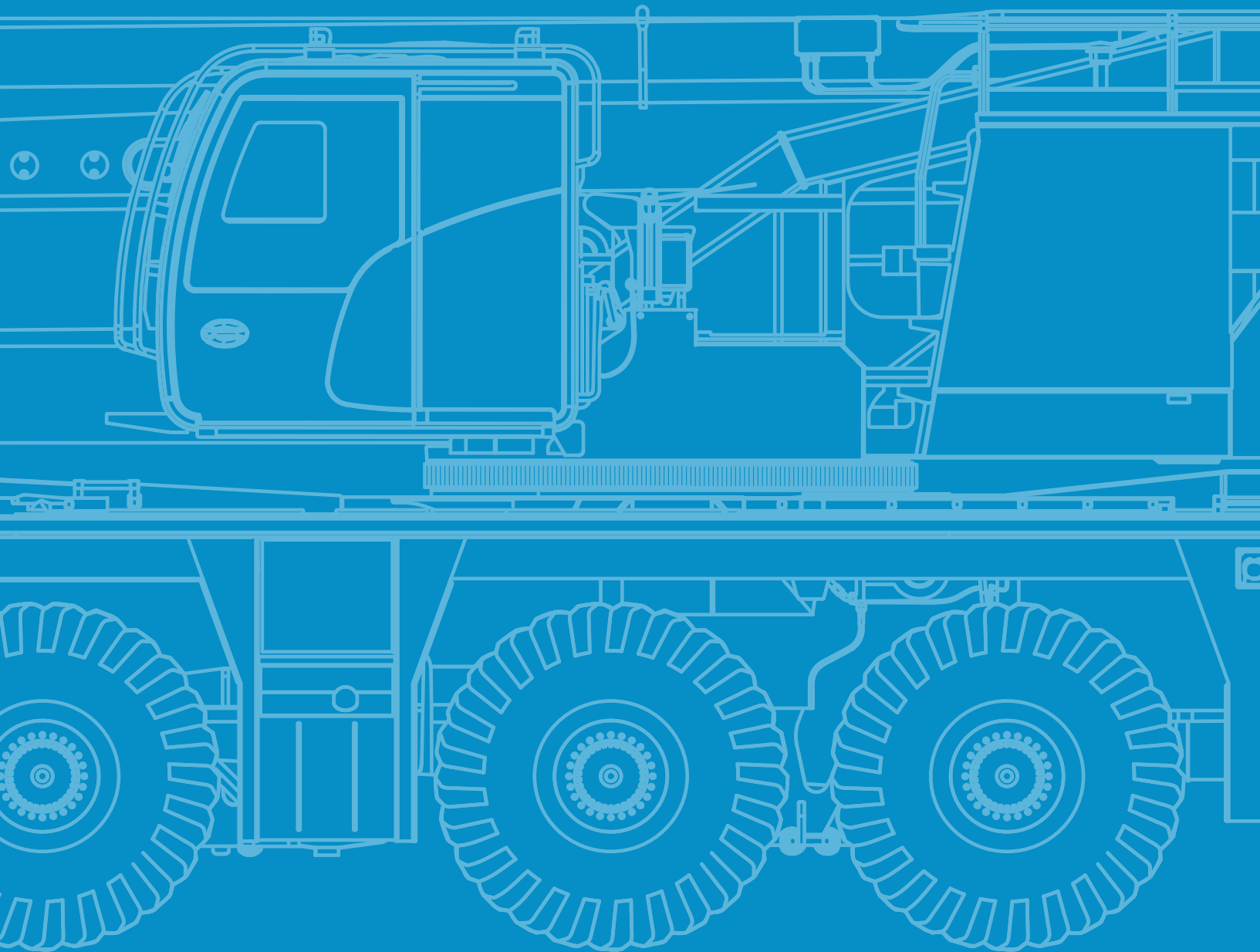


Hoist 2


3,640



TECHNICAL DATA FOR OPERATION



Operation

Main boom



approx. 575 s (44.0 ft - 229.7 ft)



approx. 56 s (-1° - 85°)

Slewing



0 - 1,1 min⁻¹

Hoist



393.7 ft/min

22,076 lbf

0.83"

1050 ft



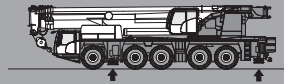
393.7 ft/min

22,076 lbf

0.83"

1050 ft

Outrigger cylinders



187,400 lbs

255,800 lbs



17.5"

22.0"

Hook Blocks



22,050 lbs

21,800 lbs

–

1

660 lbs

12.1 ft

70,500 lbs

64,800 lbs

1

3

990 lbs

8.2 ft

176,400 lbs

148,400 lbs

3

7

1,760 lbs

8.9 ft

275,600 lbs

228,700 lbs

5

11

2,540 lbs

9.2 ft

352,800 lbs

286,600 lbs

7

14

2,870 lbs

9.5 ft

441,000 lbs

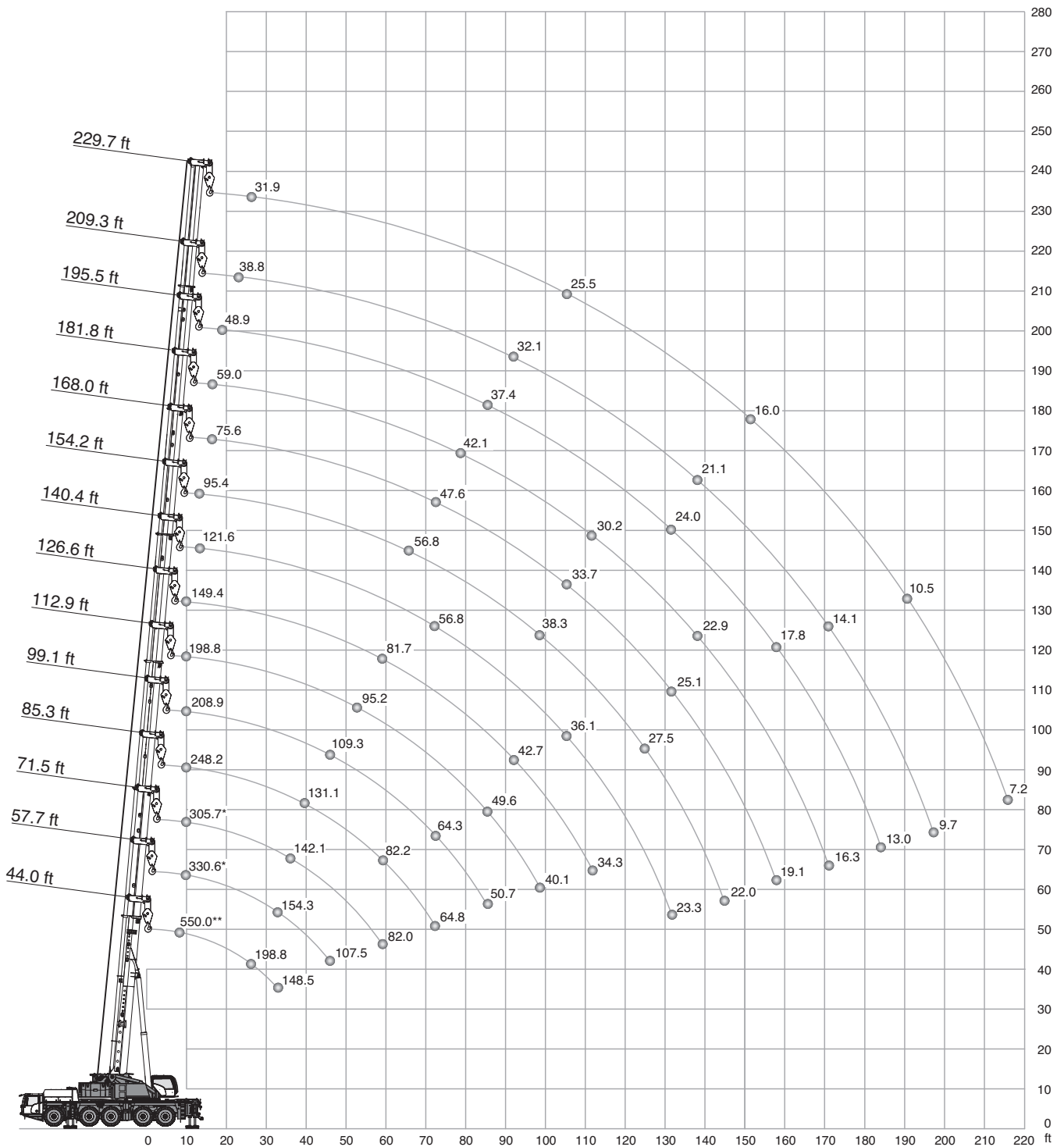
379,900 lbs

9

19

3,530 lbs

9.5 ft



** Max. crane capacity – with additional special equipment

Operation

MB

176,400 lbs		30.55 ft x 27.2 ft														360°		ASME B30.5	
		(ft)																	
		44.0 ¹⁾	44.0	57.7	71.5	85.3	99.1	112.9	126.6	140.4	154.2	168.0	181.8	195.5	209.3	229.7			
ft	1,000 lbs																ft		
8.2	550.0**	-	-	-	-	-	-	-	-	-	-	-	-	-	-	-	-	8.2	
9.8	387.7*	387.7*	330.6*	305.7*	248.2	208.9	198.8	149.4	-	-	-	-	-	-	-	-	-	9.8	
13.1	332.8*	331.3*	322.7*	305.7*	248.2	208.9	198.8	149.4	121.6	95.4	-	-	-	-	-	-	-	13.1	
16.4	291.2*	285.4	284.6	276.0	248.2	208.9	185.1	149.4	121.6	95.4	75.6	59.0	-	-	-	-	-	16.4	
19.7	257.7	246.2	248.6	246.6	241.4	208.9	176.3	148.3	121.6	95.4	75.6	59.0	48.9	-	-	-	-	19.7	
23.0	229.2	214.7	217.3	218.0	216.9	208.9	176.3	138.0	121.6	95.4	75.6	59.0	48.9	38.8	-	-	-	23.0	
26.2	198.8	189.5	192.0	192.9	192.4	191.1	176.3	136.0	117.2	95.4	75.6	59.0	48.9	38.8	31.9	-	-	26.2	
29.5	174.6	169.0	171.5	173.7	171.9	172.1	172.4	136.0	109.3	95.4	75.6	59.0	48.9	38.8	31.9	-	-	29.5	
32.8	148.5	148.5	154.3	156.7	155.4	156.9	155.4	131.3	102.7	93.4	75.6	59.0	48.9	38.8	31.9	-	-	32.8	
36.1	-	-	139.9	142.1	143.5	142.6	140.8	125.0	96.3	88.8	75.6	59.0	48.9	38.8	31.9	-	-	36.1	
39.4	-	-	129.1	129.8	131.1	130.2	128.5	121.4	90.6	83.7	75.6	59.0	48.9	38.8	31.9	-	-	39.4	
45.9	-	-	107.5	110.0	110.2	109.3	108.4	109.7	80.9	74.7	69.6	59.0	48.9	38.8	31.9	-	-	45.9	
52.5	-	-	-	94.3	94.3	94.1	95.2	93.9	73.4	67.2	62.8	59.0	48.9	38.8	31.9	-	-	52.5	
59.1	-	-	-	82.0	82.2	83.7	83.1	81.7	67.2	61.7	57.0	54.0	48.9	38.8	31.9	-	-	59.1	
65.6	-	-	-	-	71.8	73.6	72.7	71.2	61.7	56.8	52.0	49.3	46.0	38.8	31.9	-	-	65.6	
72.2	-	-	-	-	64.8	64.3	63.2	61.7	56.8	52.2	47.6	45.6	43.2	37.6	31.9	-	-	72.2	
78.7	-	-	-	-	-	56.6	55.7	54.2	52.9	48.2	43.8	42.1	40.3	35.7	31.9	-	-	78.7	
85.3	-	-	-	-	-	50.7	49.6	48.0	47.6	44.7	40.7	39.0	37.4	33.7	30.6	-	-	85.3	
91.9	-	-	-	-	-	-	44.3	42.7	44.3	41.4	38.1	36.8	35.0	32.1	29.3	-	-	91.9	
98.4	-	-	-	-	-	-	40.1	39.6	39.9	38.3	35.9	34.3	32.6	30.4	27.3	-	-	98.4	
105.0	-	-	-	-	-	-	-	37.4	36.1	34.6	33.7	32.1	30.4	28.6	25.5	-	-	105.0	
111.5	-	-	-	-	-	-	-	34.3	32.8	31.3	31.7	30.2	28.6	26.8	23.8	-	-	111.5	
118.1	-	-	-	-	-	-	-	-	30.4	28.6	29.7	28.2	26.8	25.1	22.2	-	-	118.1	
124.7	-	-	-	-	-	-	-	-	28.6	27.5	27.5	26.4	25.5	23.8	20.7	-	-	124.7	
131.2	-	-	-	-	-	-	-	-	23.3	26.0	25.1	24.9	24.0	22.4	19.4	-	-	131.2	
137.8	-	-	-	-	-	-	-	-	-	24.0	22.9	22.9	22.0	21.1	18.2	-	-	137.8	
144.4	-	-	-	-	-	-	-	-	-	22.0	21.1	21.3	20.9	19.8	17.1	-	-	144.4	
150.9	-	-	-	-	-	-	-	-	-	-	20.2	19.6	19.6	18.5	16.0	-	-	150.9	
157.5	-	-	-	-	-	-	-	-	-	-	19.1	18.0	17.8	16.9	14.9	-	-	157.5	
164.0	-	-	-	-	-	-	-	-	-	-	-	16.9	16.5	15.4	14.1	-	-	164.0	
170.6	-	-	-	-	-	-	-	-	-	-	-	16.3	15.2	14.1	13.2	-	-	170.6	
177.2	-	-	-	-	-	-	-	-	-	-	-	-	13.8	12.7	12.3	-	-	177.2	
183.7	-	-	-	-	-	-	-	-	-	-	-	-	13.0	11.6	11.4	-	-	183.7	
190.3	-	-	-	-	-	-	-	-	-	-	-	-	-	10.8	10.5	-	-	190.3	
196.9	-	-	-	-	-	-	-	-	-	-	-	-	-	9.7	9.7	-	-	196.9	
203.4	-	-	-	-	-	-	-	-	-	-	-	-	-	-	8.8	-	-	203.4	
210.0	-	-	-	-	-	-	-	-	-	-	-	-	-	-	7.9	-	-	210.0	
216.5	-	-	-	-	-	-	-	-	-	-	-	-	-	-	7.2	-	-	216.5	

1) over rear

* with heavy lift attachment

** Max. crane capacity – with additional special equipment

Operation

MB

109,400 lbs		30.55 ft x 27.2 ft		360° / Max.**								ASME B30.5			
ft	360° 44.0 ft	Max. 44.0 ft	360° 57.7 ft	Max. 57.7 ft	360° 71.5 ft	Max. 71.5 ft	360° 85.3 ft	Max. 85.3 ft	360° 99.1 ft	Max. 99.1 ft	360° 112.9 ft	Max. 112.9 ft	360° 126.6 ft	Max. 126.6 ft	ft
1,000 lbs															
9.8	381.1*	387.7*	330.6*	330.6*	305.7*	305.7*	248.2	248.2	208.9	208.9	198.8	198.8	149.4	149.4	9.8
13.1	316.8*	331.3*	316.5*	322.7*	305.7*	305.7*	248.2	248.2	208.9	208.9	198.8	198.8	149.4	149.4	13.1
16.4	265.2	285.4	267.8	284.6	268.5	276.0	248.2	248.2	208.9	208.9	185.1	185.1	149.4	149.4	16.4
19.7	226.1	236.9	228.8	240.5	229.5	241.4	229.2	240.9	208.9	208.9	176.3	176.3	148.3	148.3	19.7
23.0	195.9	200.6	198.6	203.7	199.2	204.8	199.0	204.1	197.7	202.6	176.3	176.3	138.0	138.0	23.0
26.2	171.7	173.0	174.3	176.1	176.3	177.0	176.3	176.5	176.3	176.3	171.5	176.3	136.0	136.0	26.2
29.5	152.1	152.1	156.3	156.3	157.8	157.8	157.8	158.0	157.1	157.1	147.9	155.6	136.0	136.0	29.5
32.8	135.3	135.3	138.8	138.8	140.4	140.4	140.6	140.6	137.3	139.7	131.6	138.2	127.4	131.3	32.8
36.1	-	-	124.5	124.5	126.1	126.1	126.3	126.3	121.4	125.6	119.9	125.0	113.3	125.0	36.1
39.4	-	-	108.4	109.5	110.4	111.7	110.4	112.2	112.6	113.3	107.5	114.1	101.8	111.9	39.4
45.9	-	-	85.5	87.0	86.2	88.1	89.0	91.4	88.6	91.2	87.7	90.1	83.7	88.1	45.9
52.5	-	-	-	-	71.6	73.8	72.5	74.7	72.0	74.7	71.2	73.6	70.3	71.6	52.5
59.1	-	-	-	-	59.9	61.7	60.6	62.8	60.1	62.6	59.3	61.5	59.5	60.6	59.1
65.6	-	-	-	-	-	-	51.5	53.5	51.3	53.3	50.7	52.2	52.0	53.5	65.6
72.2	-	-	-	-	-	-	44.7	46.2	44.3	46.0	45.8	46.7	44.9	46.7	72.2
78.7	-	-	-	-	-	-	-	28.2	39.4	40.3	40.1	41.8	39.6	40.7	78.7
85.3	-	-	-	-	-	-	-	-	35.9	37.0	35.4	37.0	34.8	36.3	85.3
91.9	-	-	-	-	-	-	-	-	-	25.1	31.7	33.0	31.0	32.4	91.9
98.4	-	-	-	-	-	-	-	-	-	-	28.4	29.5	29.1	29.3	98.4
105.0	-	-	-	-	-	-	-	-	-	-	-	16.9	26.2	27.3	105.0
111.5	-	-	-	-	-	-	-	-	-	-	-	-	23.8	24.9	111.5
118.1	-	-	-	-	-	-	-	-	-	-	-	-	-	16.7	118.1
124.7	-	-	-	-	-	-	-	-	-	-	-	-	-	12.5	124.7

ft	360° 140.4 ft	Max. 140.4 ft	360° 154.2 ft	Max. 154.2 ft	360° 168.0 ft	Max. 168.0 ft	360° 181.8 ft	Max. 181.8 ft	360° 195.5 ft	Max. 195.5 ft	360° 209.3 ft	Max. 209.3 ft	360° 229.7 ft	Max. 229.7 ft	ft
1,000 lbs															
13.1	121.6	121.6	95.4	95.4	-	-	-	-	-	-	-	-	-	-	13.1
16.4	121.6	121.6	95.4	95.4	75.6	75.6	59.0	59.0	-	-	-	-	-	-	16.4
19.7	121.6	121.6	95.4	95.4	75.6	75.6	59.0	59.0	48.9	48.9	-	-	-	-	19.7
23.0	121.6	121.6	95.4	95.4	75.6	75.6	59.0	59.0	48.9	48.9	38.8	38.8	-	-	23.0
26.2	117.2	117.2	95.4	95.4	75.6	75.6	59.0	59.0	48.9	48.9	38.8	38.8	31.9	31.9	26.2
29.5	109.3	109.3	95.4	95.4	75.6	75.6	59.0	59.0	48.9	48.9	38.8	38.8	31.9	31.9	29.5
32.8	102.7	102.7	93.4	93.4	75.6	75.6	59.0	59.0	48.9	48.9	38.8	38.8	31.9	31.9	32.8
36.1	96.3	96.3	88.8	88.8	75.6	75.6	59.0	59.0	48.9	48.9	38.8	38.8	31.9	31.9	36.1
39.4	90.6	90.6	83.7	83.7	75.6	75.6	59.0	59.0	48.9	48.9	38.8	38.8	31.9	31.9	39.4
45.9	80.9	80.9	74.7	74.7	69.6	69.6	59.0	59.0	48.9	48.9	38.8	38.8	31.9	31.9	45.9
52.5	68.1	71.2	66.3	67.2	62.8	62.8	59.0	59.0	48.9	48.9	38.8	38.8	31.9	31.9	52.5
59.1	59.5	60.1	57.3	59.7	54.8	57.0	54.0	54.0	48.9	48.9	38.8	38.8	31.9	31.9	59.1
65.6	50.4	52.2	49.3	50.4	49.8	50.7	47.1	49.3	46.0	46.0	38.8	38.8	31.9	31.9	65.6
72.2	44.7	46.5	44.0	45.4	42.9	44.5	42.7	43.4	41.4	43.2	37.6	37.6	31.9	31.9	72.2
78.7	39.0	40.5	39.0	39.6	39.0	39.6	38.3	39.6	36.5	38.3	35.7	35.7	31.9	31.9	78.7
85.3	35.0	35.7	35.2	36.5	34.6	35.9	33.7	34.8	33.9	33.9	32.4	33.7	30.6	30.6	85.3
91.9	31.9	33.0	31.3	32.6	30.8	31.7	30.8	31.5	29.7	31.0	28.8	30.2	27.9	29.3	91.9
98.4	28.6	29.7	27.9	29.1	28.2	28.8	27.3	28.6	26.2	27.5	25.3	26.6	25.1	26.6	98.4
105.0	25.5	26.6	25.7	26.4	25.3	26.4	24.2	25.5	23.3	24.6	22.2	23.8	22.2	23.8	105.0
111.5	23.3	24.2	23.1	24.6	22.7	23.8	21.6	22.9	20.7	22.0	19.6	22.0	19.6	21.1	111.5
118.1	21.6	22.0	20.9	22.0	20.2	21.6	19.4	20.7	18.2	19.8	17.4	20.5	17.4	18.9	118.1
124.7	19.6	20.9	18.7	20.0	18.2	19.6	17.4	18.7	16.3	18.0	15.4	18.0	15.4	16.7	124.7
131.2	17.8	19.1	16.9	18.2	16.5	17.8	15.6	16.9	14.5	16.7	13.6	16.3	13.4	14.9	131.2
137.8	-	12.7	15.4	16.7	14.9	16.3	13.8	15.4	13.0	15.8	11.9	14.7	11.9	13.4	137.8
144.4	-	-	14.1	15.4	13.4	14.7	12.5	13.8	11.4	14.3	10.5	13.2	10.3	12.1	144.4
150.9	-	-	-	12.5	12.3	13.4	11.2	13.0	10.1	13.0	9.2	12.1	9.2	10.8	150.9
157.5	-	-	-	-	11.2	12.3	10.1	12.3	9.0	11.9	7.9	10.8	7.9	9.4	157.5
164.0	-	-	-	-	-	-	9.0	11.6	7.9	10.8	6.8	9.7	6.8	8.3	164.0
170.6	-	-	-	-	-	-	8.1	10.5	7.0	9.7	5.9	8.8	5.9	7.4	170.6
177.2	-	-	-	-	-	-	-	-	6.1	8.8	5.0	7.9	5.0	6.6	177.2
183.7	-	-	-	-	-	-	-	-	5.5	8.1	4.1	7.0	4.1	5.7	183.7
190.3	-	-	-	-	-	-	-	-	-	-	3.5	6.1	3.3	5.0	190.3
196.9	-	-	-	-	-	-	-	-	-	-	2.8	5.5	2.6	4.1	196.9
203.4	-	-	-	-	-	-	-	-	-	-	-	-	-	3.5	203.4
210.0	-	-	-	-	-	-	-	-	-	-	-	-	-	3.0	210.0
216.5	-	-	-	-	-	-	-	-	-	-	-	-	-	2.4	216.5

* with heavy lift attachment

** Max. values are valid only for specific superstructure positions

Operation

44,100 lbs		30.55 ft x 27.2 ft				360° / Max.**				ASME B30.5					
ft	360° 44.0 ft	Max. 44.0 ft	360° 57.7 ft	Max. 57.7 ft	360° 71.5 ft	Max. 71.5 ft	360° 85.3 ft	Max. 85.3 ft	360° 99.1 ft	Max. 99.1 ft	360° 112.9 ft	Max. 112.9 ft	360° 126.6 ft	Max. 126.6 ft	ft
1,000 lbs															
9.8	359.1*	387.7*	330.6*	330.6*	305.7*	305.7*	248.2	248.2	208.9	208.9	198.8	198.8	149.4	149.4	9.8
13.1	289.4*	314.5*	292.3*	314.3*	292.9*	305.7*	248.2	248.2	208.9	208.9	198.8	198.8	149.4	149.4	13.1
16.4	239.4	248.4	242.0	252.2	242.9	253.0	232.3	248.2	208.9	208.9	185.1	185.1	149.4	149.4	16.4
19.7	201.7	204.1	204.5	207.4	192.2	208.5	176.5	207.8	167.9	206.3	160.7	176.3	143.5	148.3	19.7
23.0	172.4	172.4	165.1	176.3	156.3	176.3	146.6	176.3	141.0	176.3	131.6	176.3	121.9	138.0	23.0
26.2	132.4	132.4	135.5	140.6	128.3	142.1	125.0	142.8	118.1	142.8	110.6	145.2	103.8	136.0	26.2
29.5	104.9	105.8	112.2	113.5	110.6	117.0	106.2	119.2	100.9	119.0	95.4	117.7	90.8	115.3	29.5
32.8	85.7	87.3	92.3	94.3	95.2	98.1	91.9	99.6	87.5	99.4	83.1	98.1	81.5	96.7	32.8
36.1	-	-	77.8	80.0	80.9	83.5	80.4	84.8	76.9	84.8	76.5	83.5	72.7	83.5	36.1
39.4	-	-	66.5	69.0	69.4	72.3	70.5	73.6	68.7	73.4	68.1	72.9	64.8	74.2	39.4
45.9	-	-	50.9	52.9	53.5	56.4	55.3	57.3	56.2	59.5	54.6	59.0	53.3	58.4	45.9
52.5	-	-	-	-	42.3	45.1	44.7	47.6	44.9	48.0	45.8	47.8	44.9	48.5	52.5
59.1	-	-	-	-	33.9	37.0	36.1	39.2	37.0	39.9	37.9	40.7	37.9	40.3	59.1
65.6	-	-	-	-	-	-	29.7	33.0	30.4	33.9	31.3	34.3	31.3	34.3	65.6
72.2	-	-	-	-	-	-	24.9	28.4	25.5	29.1	26.2	29.5	26.2	29.3	72.2
78.7	-	-	-	-	-	-	-	24.4	21.6	25.1	22.2	25.3	22.2	25.3	78.7
85.3	-	-	-	-	-	-	-	-	18.5	21.8	18.9	22.0	18.9	22.4	85.3
91.9	-	-	-	-	-	-	-	-	-	19.1	16.3	19.4	16.0	19.6	91.9
98.4	-	-	-	-	-	-	-	-	-	-	14.1	17.4	13.8	17.1	98.4
105.0	-	-	-	-	-	-	-	-	-	-	-	15.4	11.9	15.2	105.0
111.5	-	-	-	-	-	-	-	-	-	-	-	-	10.3	13.4	111.5
118.1	-	-	-	-	-	-	-	-	-	-	-	-	-	11.9	118.1
124.7	-	-	-	-	-	-	-	-	-	-	-	-	-	10.5	124.7




ft	360° 140.4 ft	Max. 140.4 ft	360° 154.2 ft	Max. 154.2 ft	360° 168.0 ft	Max. 168.0 ft	360° 181.8 ft	Max. 181.8 ft	360° 195.5 ft	Max. 195.5 ft	360° 209.3 ft	Max. 209.3 ft	360° 229.7 ft	Max. 229.7 ft	ft
1,000 lbs															
13.1	121.6	121.6	95.4	95.4	-	-	-	-	-	-	-	-	-	-	13.1
16.4	121.6	121.6	95.4	95.4	75.6	75.6	59.0	59.0	-	-	-	-	-	-	16.4
19.7	121.6	121.6	95.4	95.4	75.6	75.6	59.0	59.0	48.9	48.9	-	-	-	-	19.7
23.0	112.8	121.6	95.4	95.4	75.6	75.6	59.0	59.0	48.9	48.9	38.8	38.8	-	-	23.0
26.2	99.2	117.2	90.6	95.4	75.6	75.6	59.0	59.0	48.9	48.9	38.8	38.8	31.9	31.9	26.2
29.5	87.0	109.3	81.1	95.4	75.1	75.6	59.0	59.0	48.9	48.9	38.8	38.8	31.9	31.9	29.5
32.8	78.2	95.0	74.0	93.0	68.3	75.6	59.0	59.0	48.9	48.9	38.8	38.8	31.9	31.9	32.8
36.1	69.4	82.2	67.0	81.1	63.0	75.6	57.7	59.0	48.9	48.9	38.8	38.8	31.9	31.9	36.1
39.4	62.6	72.3	60.6	72.0	57.5	68.3	53.5	59.0	48.9	48.9	38.8	38.8	31.9	31.9	39.4
45.9	51.8	57.7	50.2	57.9	48.2	56.8	45.6	55.1	42.9	48.9	38.8	38.8	31.9	31.9	45.9
52.5	44.0	48.0	41.8	47.3	40.1	46.7	37.6	46.2	35.4	44.5	33.0	38.8	31.7	31.9	52.5
59.1	37.0	41.0	35.2	40.1	33.7	39.6	31.7	38.5	29.5	38.5	27.3	36.3	26.2	31.9	59.1
65.6	31.3	34.3	30.2	33.7	28.6	33.2	26.8	33.5	24.9	32.8	22.9	31.7	22.0	30.2	65.6
72.2	26.2	29.3	25.5	29.1	24.6	29.1	22.9	28.4	21.1	27.7	19.1	26.6	18.2	25.3	72.2
78.7	22.2	25.3	21.3	25.1	20.9	24.9	19.6	24.4	17.8	23.8	16.0	22.7	15.4	21.1	78.7
85.3	18.9	22.2	18.0	21.8	17.6	21.6	16.7	21.1	15.2	20.5	13.4	19.4	12.7	18.0	85.3
91.9	16.0	19.4	15.4	18.9	14.9	18.9	13.8	18.2	12.7	17.6	11.0	16.5	10.5	15.2	91.9
98.4	13.8	16.9	13.2	16.5	12.7	16.5	11.6	15.8	10.5	15.2	9.0	14.3	8.5	12.7	98.4
105.0	11.9	14.9	11.2	14.5	10.8	14.3	9.7	13.8	8.5	13.2	7.4	12.1	7.0	10.8	105.0
111.5	10.1	13.2	9.4	12.7	9.0	12.5	7.9	12.1	7.0	11.4	5.9	10.3	5.5	9.0	111.5
118.1	8.8	11.6	7.9	11.2	7.4	11.0	6.6	10.5	5.5	9.9	4.4	8.8	4.1	7.4	118.1
124.7	7.4	10.3	6.8	9.9	6.1	9.7	5.2	9.2	4.1	8.5	3.0	7.4	3.0	6.1	124.7
131.2	6.3	9.2	5.5	8.5	5.0	8.5	3.9	7.9	3.0	7.2	-	6.3	-	5.0	131.2
137.8	-	8.1	4.6	7.4	3.9	7.4	3.0	6.8	-	6.1	-	5.2	-	3.9	137.8
144.4	-	-	3.7	6.6	3.0	6.3	2.2	5.9	-	5.2	-	4.1	-	2.8	144.4
150.9	-	-	-	5.7	2.4	5.7	-	5.0	-	4.4	-	3.3	-	1.9	150.9
157.5	-	-	-	-	-	4.8	-	4.4	-	3.5	-	2.6	-	1.3	157.5
164.0	-	-	-	-	-	-	-	3.5	-	2.8	-	1.7	-	-	164.0
170.6	-	-	-	-	-	-	-	3.0	-	2.2	-	1.1	-	-	170.6
177.2	-	-	-	-	-	-	-	-	-	1.5	-	-	-	-	177.2
183.7	-	-	-	-	-	-	-	-	-	1.1	-	-	-	-	183.7




* with heavy lift attachment

** Max. values are valid only for specific superstructure positions

Operation

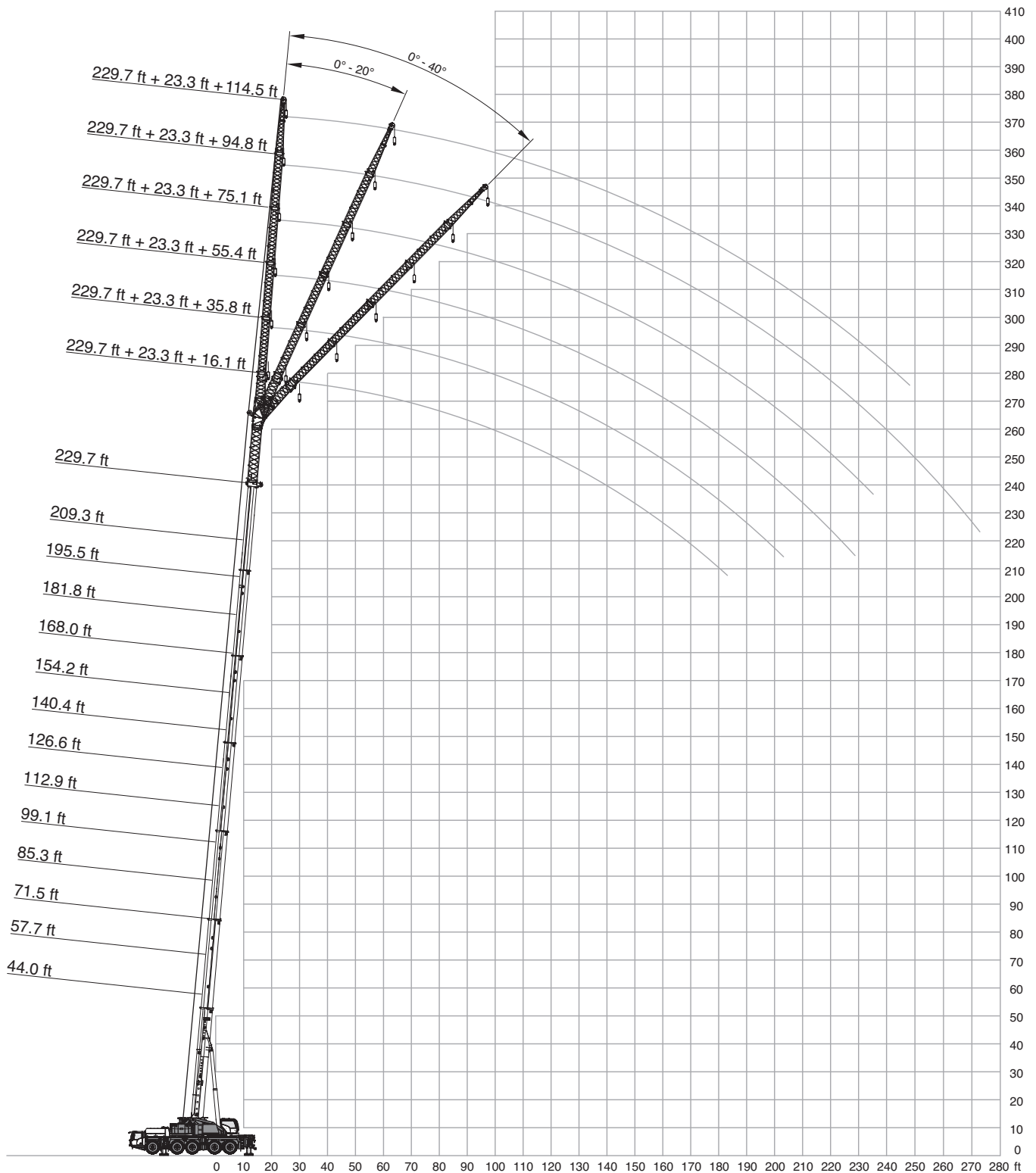
MB

0 lbs		30.55 ft x 27.2 ft						360° / Max.**						ASME B30.5		
		360°	Max.	360°	Max.	360°	Max.	360°	Max.	360°	Max.	360°	Max.	360°	Max.	
ft		44.0 ft	44.0 ft	57.7 ft	57.7 ft	71.5 ft	71.5 ft	85.3 ft	85.3 ft	99.1 ft	99.1 ft	112.9 ft	112.9 ft	126.6 ft	126.6 ft	ft
1,000 lbs																
9.8	336.8*	379.6*	330.6*	330.6*	305.7*	305.7*	248.2	248.2	208.9	208.9	198.8	198.8	149.4	149.4	9.8	
13.1	267.8	281.5	270.7	285.4	238.7	286.6	206.3	248.2	183.8	208.9	165.3	198.8	147.0	149.4	13.1	
16.4	195.5	222.0	176.3	225.5	166.0	226.6	154.1	225.9	139.9	208.9	127.6	185.1	117.0	149.4	16.4	
19.7	135.1	152.5	131.1	162.0	124.5	166.6	116.4	167.3	106.7	165.7	102.0	162.2	94.1	148.3	19.7	
23.0	98.7	107.1	98.5	117.0	95.6	122.3	91.4	124.3	86.8	124.1	80.4	122.3	77.3	120.3	23.0	
26.2	74.0	80.4	76.0	89.0	75.3	93.6	74.0	95.4	70.7	95.2	68.1	94.7	64.1	93.9	26.2	
29.5	55.9	63.0	60.6	70.7	61.0	75.3	61.0	77.6	58.8	79.5	57.0	78.9	54.0	78.2	29.5	
32.8	42.3	50.7	49.6	57.7	50.7	61.9	51.1	65.2	49.8	65.9	48.5	65.4	46.2	66.3	32.8	
36.1	-	-	40.1	48.2	42.7	52.0	43.6	55.1	42.7	56.2	41.8	57.0	39.9	56.8	36.1	
39.4	-	-	32.4	40.7	36.3	44.5	37.6	47.6	37.0	48.7	36.3	49.1	34.8	48.9	39.4	
45.9	-	-	22.0	29.9	25.5	33.7	28.2	36.3	28.4	37.2	28.2	38.3	27.1	38.1	45.9	
52.5	-	-	-	-	18.2	26.2	20.9	28.6	21.8	29.5	22.2	30.2	21.3	30.2	52.5	
59.1	-	-	-	-	13.4	20.7	15.6	22.9	16.5	23.8	17.4	24.4	16.9	24.4	59.1	
65.6	-	-	-	-	-	-	11.9	18.5	12.5	19.4	13.4	20.0	13.4	20.0	65.6	
72.2	-	-	-	-	-	-	9.0	15.2	9.7	15.8	10.3	16.5	10.3	16.5	72.2	
78.7	-	-	-	-	-	-	-	12.5	7.2	13.2	7.9	13.8	7.9	13.6	78.7	
85.3	-	-	-	-	-	-	-	-	5.5	11.0	5.9	11.4	5.9	11.4	85.3	
91.9	-	-	-	-	-	-	-	-	-	9.0	4.4	9.7	4.1	9.4	91.9	
98.4	-	-	-	-	-	-	-	-	-	-	3.0	8.1	2.8	7.9	98.4	
105.0	-	-	-	-	-	-	-	-	-	-	-	6.8	-	6.6	105.0	
111.5	-	-	-	-	-	-	-	-	-	-	-	-	-	5.2	111.5	
118.1	-	-	-	-	-	-	-	-	-	-	-	-	-	4.4	118.1	
124.7	-	-	-	-	-	-	-	-	-	-	-	-	-	3.5	124.7	

		360°	Max.	360°	Max.	360°	Max.	360°	Max.	360°	Max.	360°	Max.	360°	Max.	
ft		140.4 ft	140.4 ft	154.2 ft	154.2 ft	168.0 ft	168.0 ft	181.8 ft	181.8 ft	195.5 ft	195.5 ft	209.3 ft	209.3 ft	229.7 ft	229.7 ft	ft
1,000 lbs																
13.1	121.6	121.6	95.4	95.4	-	-	-	-	-	-	-	-	-	-	-	13.1
16.4	103.8	121.6	91.7	95.4	75.6	75.6	59.0	59.0	-	-	-	-	-	-	-	16.4
19.7	86.8	121.6	77.6	95.4	68.3	75.6	59.0	59.0	48.9	48.9	-	-	-	-	-	19.7
23.0	73.1	114.4	67.4	95.4	59.9	75.6	54.8	59.0	48.9	48.9	38.8	38.8	-	-	-	23.0
26.2	60.8	93.0	56.6	88.8	52.9	75.6	48.9	59.0	44.5	48.9	38.8	38.8	31.9	31.9	26.2	
29.5	51.3	77.1	48.0	75.8	44.9	70.3	41.4	59.0	38.1	48.9	34.6	38.8	31.9	31.9	29.5	
32.8	44.0	65.9	41.2	65.0	38.5	63.0	35.7	59.0	32.6	48.9	29.5	38.8	27.5	31.9	32.8	
36.1	38.1	56.8	35.7	56.2	33.5	55.5	30.8	52.4	28.2	48.9	25.3	38.8	23.8	31.9	36.1	
39.4	33.2	48.9	31.3	48.9	29.3	48.7	26.8	47.1	24.4	44.5	21.8	38.8	20.2	31.9	39.4	
45.9	26.0	37.9	24.2	37.4	22.7	37.2	20.5	36.5	18.2	35.9	16.0	34.6	14.9	30.8	45.9	
52.5	20.5	29.9	18.9	29.5	17.6	29.3	15.8	28.8	13.8	27.9	11.9	26.6	11.0	24.9	52.5	
59.1	16.3	24.2	14.9	23.8	13.8	23.5	12.1	23.1	10.3	22.2	8.3	21.1	7.7	19.6	59.1	
65.6	13.0	19.8	11.9	19.4	10.8	19.1	9.2	18.7	7.4	18.0	5.7	16.7	5.2	15.4	65.6	
72.2	10.3	16.3	9.2	15.8	8.1	15.8	6.8	15.2	5.2	14.5	3.5	13.4	3.0	11.9	72.2	
78.7	7.9	13.6	7.0	13.2	6.1	13.0	4.8	12.5	3.3	11.9	-	10.8	-	9.2	78.7	
85.3	5.9	11.2	5.2	10.8	4.4	10.8	3.0	10.1	-	9.4	-	8.3	-	7.0	85.3	
91.9	4.1	9.4	3.5	9.0	2.8	8.8	-	8.3	-	7.7	-	6.6	-	5.2	91.9	
98.4	2.8	7.7	2.2	7.2	-	7.2	-	6.6	-	5.9	-	4.8	-	3.5	98.4	
105.0	-	6.3	-	5.9	-	5.7	-	5.2	-	4.6	-	3.5	-	1.7	105.0	
111.5	-	5.0	-	4.6	-	4.6	-	3.9	-	3.3	-	2.4	-	-	111.5	
118.1	-	4.1	-	3.7	-	3.5	-	3.0	-	2.4	-	1.3	-	-	118.1	
124.7	-	3.3	-	2.6	-	2.6	-	1.9	-	1.3	-	-	-	-	124.7	
131.2	-	2.4	-	1.9	-	1.7	-	1.3	-	-	-	-	-	-	131.2	
137.8	-	1.7	-	1.1	-	1.1	-	-	-	-	-	-	-	-	137.8	

* with heavy lift attachment

** Max. values are valid only for specific superstructure positions



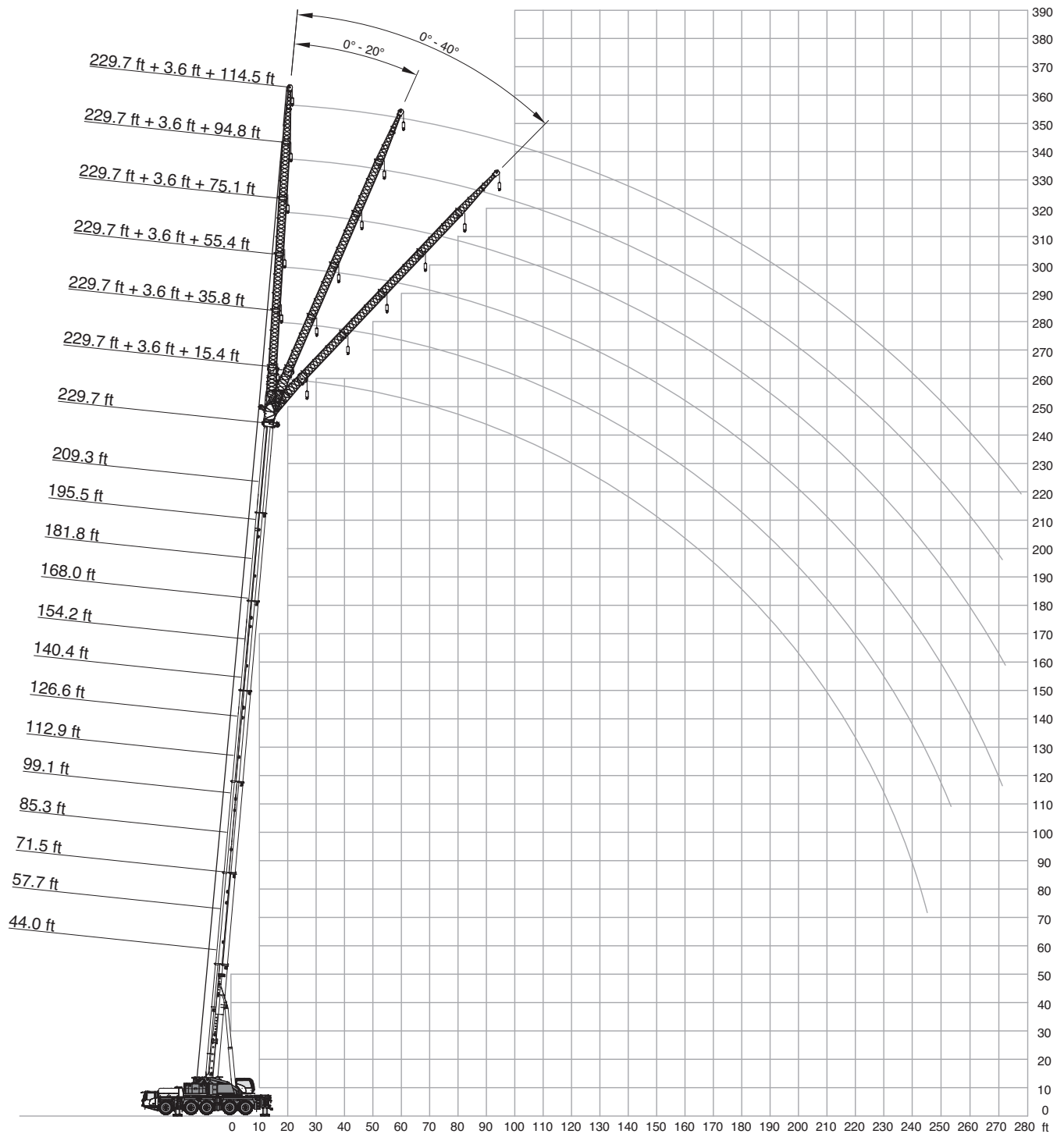
Operation

176,400 lbs		30.55 ft x 27.2 ft			23.3 ft + 114.5 ft			360°			ASME B30.5		
ft	44.0 ft			71.5 ft			99.1 ft			126.6 ft			ft
	0°	20°	40°	0°	20°	40°	0°	20°	40°	0°	20°	40°	
1,000 lbs													
26.2	11.6	-	-	10.1	-	-	-	-	-	-	-	-	26.2
29.5	11.6	-	-	10.1	-	-	-	-	-	-	-	-	29.5
32.8	11.6	-	-	10.1	-	-	8.8	-	-	-	-	-	32.8
36.1	11.4	-	-	10.1	-	-	8.8	-	-	7.7	-	-	36.1
39.4	11.2	-	-	10.1	-	-	8.8	-	-	8.1	-	-	39.4
45.9	10.5	-	-	10.1	-	-	8.8	-	-	8.1	-	-	45.9
52.5	9.9	-	-	10.1	-	-	8.8	-	-	8.1	-	-	52.5
59.1	9.4	-	-	9.7	-	-	8.8	-	-	8.1	-	-	59.1
65.6	8.8	7.4	-	9.2	-	-	8.8	-	-	8.1	-	-	65.6
72.2	8.3	7.0	-	8.8	7.0	-	8.5	-	-	8.1	-	-	72.2
78.7	7.2	6.3	-	8.3	6.8	-	8.1	6.6	-	8.1	-	-	78.7
85.3	6.6	5.9	-	7.9	6.3	-	7.9	6.3	-	7.9	6.3	-	85.3
91.9	5.9	5.2	-	7.2	5.9	-	7.4	6.1	-	7.7	6.1	-	91.9
98.4	5.2	4.8	4.4	6.3	5.5	-	7.2	5.9	-	7.2	5.9	-	98.4
105.0	4.6	4.4	4.1	5.9	5.0	4.4	7.0	5.5	-	7.0	5.7	-	105.0
111.5	4.1	3.9	3.7	5.2	4.6	3.9	6.3	5.0	4.1	6.8	5.5	-	111.5
118.1	3.7	3.7	3.5	4.8	4.1	3.7	5.9	4.6	3.9	6.6	5.0	3.9	118.1
124.7	3.5	3.3	3.3	4.4	3.9	3.5	5.5	4.4	3.7	6.1	4.8	3.9	124.7
131.2	3.0	3.0	2.8	3.9	3.5	3.3	5.0	4.1	3.5	5.7	4.4	3.7	131.2
137.8	2.8	2.8	2.6	3.7	3.3	3.0	4.6	3.7	3.3	5.2	4.1	3.5	137.8
144.4	2.6	2.4	2.4	3.3	3.0	2.8	4.1	3.5	3.0	5.0	3.9	3.3	144.4
150.9	2.2	2.2	2.2	3.0	2.8	2.6	3.9	3.3	2.8	4.6	3.7	3.0	150.9
157.5	-	-	2.2	2.8	2.6	2.4	3.5	3.0	2.8	4.4	3.5	2.8	157.5
164.0	-	-	-	2.6	2.4	2.4	3.3	2.8	2.6	3.9	3.3	2.8	164.0
170.6	-	-	-	2.4	2.2	2.2	3.0	2.6	2.4	3.7	3.0	2.6	170.6
177.2	-	-	-	2.2	2.2	-	2.8	2.6	2.4	3.5	2.8	2.6	177.2
183.7	-	-	-	-	-	-	2.6	2.4	2.2	3.3	2.6	2.4	183.7
190.3	-	-	-	-	-	-	2.4	2.2	2.2	3.0	2.6	2.4	190.3
196.9	-	-	-	-	-	-	2.2	-	-	2.8	2.4	2.2	196.9
210.0	-	-	-	-	-	-	-	-	-	2.4	2.2	-	210.0

ft	154.2 ft			181.8 ft			209.3 ft			229.7 ft			ft
	0°	20°	40°	0°	20°	40°	0°	20°	40°	0°	20°	40°	
1,000 lbs													
45.9	7.0	-	-	-	-	-	-	-	-	-	-	-	45.9
52.5	7.0	-	-	-	-	-	-	-	-	-	-	-	52.5
59.1	7.0	-	-	6.1	-	-	-	-	-	-	-	-	59.1
65.6	7.0	-	-	6.1	-	-	5.2	-	-	-	-	-	65.6
72.2	7.0	-	-	6.1	-	-	5.2	-	-	4.8	-	-	72.2
78.7	7.0	-	-	6.1	-	-	5.2	-	-	4.8	-	-	78.7
85.3	7.0	-	-	6.1	-	-	5.2	-	-	4.8	-	-	85.3
91.9	7.0	5.7	-	6.1	-	-	5.2	-	-	4.8	-	-	91.9
98.4	7.0	5.7	-	6.1	-	-	5.2	-	-	4.8	-	-	98.4
105.0	6.8	5.5	-	6.1	5.0	-	5.2	-	-	4.8	-	-	105.0
111.5	6.6	5.2	-	6.1	5.0	-	5.2	4.6	-	4.8	-	-	111.5
118.1	6.3	5.0	-	5.9	4.8	-	5.2	4.6	-	4.8	-	-	118.1
124.7	6.1	5.0	3.9	5.7	4.6	-	5.2	4.4	-	4.8	4.1	-	124.7
131.2	6.1	4.8	3.7	5.7	4.6	-	5.2	4.4	-	4.8	4.1	-	131.2
137.8	5.9	4.4	3.5	5.5	4.4	3.5	5.0	4.1	-	4.8	3.9	-	137.8
144.4	5.5	4.1	3.3	5.2	4.4	3.5	5.0	4.1	3.5	4.8	3.9	-	144.4
150.9	5.2	3.9	3.3	5.2	4.1	3.3	4.8	4.1	3.3	4.6	3.9	3.3	150.9
157.5	4.8	3.7	3.0	5.0	3.9	3.3	4.8	3.9	3.3	4.6	3.7	3.3	157.5
164.0	4.6	3.5	3.0	5.0	3.7	3.0	4.6	3.9	3.0	4.4	3.7	3.0	164.0
170.6	4.4	3.3	2.8	4.8	3.5	2.8	4.6	3.7	3.0	4.4	3.7	3.0	170.6
177.2	3.9	3.3	2.6	4.4	3.5	2.8	4.6	3.5	2.8	4.4	3.5	2.8	177.2
183.7	3.7	3.0	2.6	4.1	3.3	2.6	4.4	3.5	2.8	4.1	3.5	2.8	183.7
190.3	3.5	2.8	2.4	3.9	3.0	2.6	4.4	3.3	2.6	3.9	3.3	2.6	190.3
196.9	3.3	2.6	2.4	3.7	2.8	2.4	4.1	3.0	2.6	3.7	3.0	2.6	196.9
210.0	2.8	2.4	2.2	3.3	2.6	2.4	3.7	2.8	2.4	3.3	2.8	2.4	210.0
223.1	2.6	2.2	-	3.0	2.4	2.2	3.3	2.6	2.2	2.8	2.6	2.4	223.1
236.2	2.2	-	-	2.6	2.2	-	3.0	2.4	2.2	2.6	2.2	2.2	236.2
249.3	-	-	-	2.4	-	-	2.6	2.2	-	2.2	-	-	249.3
262.5	-	-	-	2.2	-	-	2.4	-	-	-	-	-	262.5

109,400 lbs		30.55 ft x 27.2 ft			23.3 ft + 114.5 ft			360°			ASME B30.5		
ft	44.0 ft			71.5 ft			99.1 ft			126.6 ft			ft
	0°	20°	40°	0°	20°	40°	0°	20°	40°	0°	20°	40°	
1,000 lbs													
23.0	11.6	-	-	-	-	-	-	-	-	-	-	-	23.0
26.2	11.6	-	-	10.1	-	-	-	-	-	-	-	-	26.2
29.5	11.6	-	-	10.1	-	-	-	-	-	-	-	-	29.5
32.8	11.6	-	-	10.1	-	-	8.8	-	-	-	-	-	32.8
36.1	11.4	-	-	10.1	-	-	8.8	-	-	7.7	-	-	36.1
39.4	11.2	-	-	10.1	-	-	8.8	-	-	8.1	-	-	39.4
45.9	10.5	-	-	10.1	-	-	8.8	-	-	8.1	-	-	45.9
52.5	9.9	-	-	10.1	-	-	8.8	-	-	8.1	-	-	52.5
59.1	9.4	-	-	9.7	-	-	8.8	-	-	8.1	-	-	59.1
65.6	8.8	7.4	-	9.2	-	-	8.8	-	-	8.1	-	-	65.6
72.2	8.3	7.0	-	8.8	7.0	-	8.5	-	-	8.1	-	-	72.2
78.7	7.2	6.3	-	8.3	6.8	-	8.1	6.6	-	8.1	-	-	78.7
85.3	6.6	5.9	-	7.9	6.3	-	7.9	6.3	-	7.9	6.3	-	85.3
91.9	5.9	5.2	-	7.2	5.9	-	7.4	6.1	-	7.7	6.1	-	91.9
98.4	5.2	4.8	4.4	6.3	5.5	-	7.2	5.9	-	7.2	5.9	-	98.4
105.0	4.6	4.4	4.1	5.9	5.0	4.4	7.0	5.5	-	7.0	5.7	-	105.0
111.5	4.1	3.9	3.7	5.2	4.6	3.9	6.3	5.0	4.1	6.8	5.5	-	111.5
118.1	3.7	3.7	3.5	4.8	4.1	3.7	5.9	4.6	3.9	6.6	5.0	3.9	118.1
124.7	3.5	3.3	3.3	4.4	3.9	3.5	5.5	4.4	3.7	6.1	4.8	3.9	124.7
131.2	3.0	3.0	2.8	3.9	3.5	3.3	5.0	4.1	3.5	5.7	4.4	3.7	131.2
137.8	2.8	2.8	2.6	3.7	3.3	3.0	4.6	3.7	3.3	5.2	4.1	3.5	137.8
144.4	2.6	2.4	2.4	3.3	3.0	2.8	4.1	3.5	3.0	5.0	3.9	3.3	144.4
150.9	2.2	2.2	2.2	3.0	2.8	2.6	3.9	3.3	2.8	4.6	3.7	3.0	150.9
157.5	-	-	2.2	2.8	2.6	2.4	3.5	3.0	2.8	4.4	3.5	2.8	157.5
164.0	-	-	-	2.6	2.4	2.4	3.3	2.8	2.6	3.9	3.3	2.8	164.0
170.6	-	-	-	2.4	2.2	2.2	3.0	2.6	2.4	3.7	3.0	2.6	170.6
177.2	-	-	-	2.2	2.2	-	2.8	2.6	2.4	3.5	2.8	2.6	177.2
183.7	-	-	-	-	-	-	2.6	2.4	2.2	3.3	2.6	2.4	183.7
190.3	-	-	-	-	-	-	2.4	2.2	2.2	3.0	2.6	2.4	190.3
196.9	-	-	-	-	-	-	2.2	-	-	2.8	2.4	2.2	196.9
210.0	-	-	-	-	-	-	-	-	-	2.4	2.2	-	210.0
223.1	-	-	-	-	-	-	-	-	-	2.2	-	-	223.1

ft	154.2 ft			181.8 ft			209.3 ft			229.7 ft			ft
	0°	20°	40°	0°	20°	40°	0°	20°	40°	0°	20°	40°	
1,000 lbs													
45.9	7.0	-	-	-	-	-	-	-	-	-	-	-	45.9
52.5	7.0	-	-	-	-	-	-	-	-	-	-	-	52.5
59.1	7.0	-	-	6.1	-	-	-	-	-	-	-	-	59.1
65.6	7.0	-	-	6.1	-	-	5.2	-	-	-	-	-	65.6
72.2	7.0	-	-	6.1	-	-	5.2	-	-	4.8	-	-	72.2
78.7	7.0	-	-	6.1	-	-	5.2	-	-	4.8	-	-	78.7
85.3	7.0	-	-	6.1	-	-	5.2	-	-	4.8	-	-	85.3
91.9	7.0	5.7	-	6.1	-	-	5.2	-	-	4.8	-	-	91.9
98.4	7.0	5.7	-	6.1	-	-	5.2	-	-	4.8	-	-	98.4
105.0	6.8	5.5	-	6.1	5.0	-	5.2	-	-	4.8	-	-	105.0
111.5	6.6	5.2	-	6.1	5.0	-	5.2	4.6	-	4.8	-	-	111.5
118.1	6.3	5.0	-	5.9	4.8	-	5.2	4.6	-	4.8	-	-	118.1
124.7	6.1	5.0	3.9	5.7	4.6	-	5.2	4.4	-	4.8	4.1	-	124.7
131.2	6.1	4.8	3.7	5.7	4.6	-	5.2	4.4	-	4.8	4.1	-	131.2
137.8	5.9	4.4	3.5	5.5	4.4	3.5	5.0	4.1	-	4.8	3.9	-	137.8
144.4	5.5	4.1	3.3	5.2	4.4	3.5	5.0	4.1	3.5	4.8	3.9	-	144.4
150.9	5.2	3.9	3.3	5.2	4.1	3.3	4.8	4.1	3.3	4.6	3.9	3.3	150.9
157.5	4.8	3.7	3.0	5.0	3.9	3.3	4.8	3.9	3.3	4.6	3.7	3.3	157.5
164.0	4.6	3.5	3.0	5.0	3.7	3.0	4.6	3.9	3.0	4.4	3.7	3.0	164.0
170.6	4.4	3.3	2.8	4.8	3.5	2.8	4.6	3.7	3.0	4.4	3.7	3.0	170.6
177.2	3.9	3.3	2.6	4.4	3.5	2.8	4.6	3.5	2.8	4.4	3.5	2.8	177.2
183.7	3.7	3.0	2.6	4.1	3.3	2.6	4.4	3.5	2.8	4.1	3.5	2.8	183.7
190.3	3.5	2.8	2.4	3.9	3.0	2.6	4.4	3.3	2.6	3.9	3.3	2.6	190.3
196.9	3.3	2.6	2.4	3.7	2.8	2.4	3.9	3.0	2.6	3.3	3.0	2.6	196.9
210.0	2.8	2.4	2.2	3.3	2.6	2.4	2.6	2.8	2.4	-	2.8	2.4	210.0
223.1	2.6	2.2	-	2.8	2.4	2.2	-	2.6	2.2	-	2.6	2.4	223.1
236.2	2.2	-	-	2.4	2.2	-	-	-	2.2	-	-	2.2	236.2



Operation

176,400 lbs		30.55 ft x 27.2 ft			3.6 ft + 114.5 ft			360°			ASME B30.5		
ft	44.0 ft			71.5 ft			99.1 ft			126.6 ft			ft
	0°	20°	40°	0°	20°	40°	0°	20°	40°	0°	20°	40°	
	1,000 lbs												
23.0	13.8	-	-	11.6	-	-	-	-	-	-	-	-	23.0
26.2	13.4	-	-	12.5	-	-	-	-	-	-	-	-	26.2
29.5	13.0	-	-	12.5	-	-	10.5	-	-	-	-	-	29.5
32.8	12.3	-	-	12.5	-	-	10.5	-	-	9.2	-	-	32.8
36.1	12.1	-	-	12.1	-	-	10.5	-	-	10.1	-	-	36.1
39.4	11.6	-	-	11.9	-	-	10.5	-	-	10.1	-	-	39.4
45.9	10.8	-	-	11.2	-	-	10.5	-	-	10.1	-	-	45.9
52.5	10.1	-	-	10.5	-	-	10.3	-	-	10.1	-	-	52.5
59.1	9.2	-	-	9.9	-	-	9.9	-	-	9.9	-	-	59.1
65.6	8.8	7.7	-	9.2	7.7	-	9.4	-	-	9.4	-	-	65.6
72.2	8.1	7.2	-	8.8	7.2	-	9.0	7.2	-	9.0	-	-	72.2
78.7	7.7	6.8	-	8.3	7.0	-	8.5	6.8	-	8.8	6.8	-	78.7
85.3	7.2	6.3	-	7.9	6.6	-	8.1	6.6	-	8.3	6.6	-	85.3
91.9	6.8	5.9	-	7.4	6.3	-	7.7	6.3	-	7.9	6.3	-	91.9
98.4	6.1	5.5	4.8	7.0	5.9	5.0	7.4	6.1	-	7.7	6.1	-	98.4
105.0	5.7	5.0	4.4	6.8	5.7	4.6	7.0	5.9	4.8	7.2	5.9	-	105.0
111.5	5.0	4.6	4.1	6.3	5.2	4.4	6.8	5.7	4.6	7.0	5.7	4.6	111.5
124.7	4.4	3.9	3.7	5.5	4.6	3.9	6.1	5.2	4.1	6.6	5.2	4.4	124.7
131.2	3.9	3.7	3.5	5.0	4.4	3.7	5.9	4.8	3.9	6.3	5.0	4.1	131.2
137.8	3.7	3.5	3.3	4.8	4.1	3.5	5.7	4.6	3.7	6.1	5.0	3.9	137.8
144.4	3.3	3.3	3.0	4.4	3.9	3.5	5.5	4.4	3.7	5.9	4.8	3.9	144.4
150.9	3.0	3.0	-	4.1	3.7	3.3	5.0	4.1	3.5	5.7	4.6	3.7	150.9
157.5	-	-	-	3.7	3.5	3.3	4.8	3.9	3.5	5.5	4.4	3.5	157.5
164.0	-	-	-	3.5	3.3	3.0	4.4	3.7	3.3	5.2	4.1	3.5	164.0
170.6	-	-	-	3.3	3.0	-	4.1	3.5	3.3	5.0	3.9	3.3	170.6
177.2	-	-	-	3.0	3.0	-	3.9	3.5	3.0	4.6	3.7	3.3	177.2
183.7	-	-	-	-	-	-	3.7	3.3	3.0	4.4	3.7	3.3	183.7
190.3	-	-	-	-	-	-	3.5	3.0	-	4.1	3.5	3.0	190.3
196.9	-	-	-	-	-	-	3.3	3.0	-	3.9	3.3	3.0	196.9
210.0	-	-	-	-	-	-	-	-	-	3.5	3.0	-	210.0
223.1	-	-	-	-	-	-	-	-	-	3.3	3.0	-	223.1

ft	154.2 ft			181.8 ft			209.3 ft			229.7 ft			ft
	0°	20°	40°	0°	20°	40°	0°	20°	40°	0°	20°	40°	
	1,000 lbs												
45.9	8.5	-	-	-	-	-	-	-	-	-	-	-	45.9
52.5	8.5	-	-	7.4	-	-	-	-	-	-	-	-	52.5
65.6	8.5	-	-	7.4	-	-	6.3	-	-	5.9	-	-	65.6
78.7	8.3	-	-	7.4	-	-	6.3	-	-	5.9	-	-	78.7
85.3	7.9	6.1	-	7.4	-	-	6.3	-	-	5.9	-	-	85.3
91.9	7.7	6.1	-	7.2	-	-	6.3	-	-	5.9	-	-	91.9
98.4	7.4	5.9	-	7.0	5.5	-	6.3	-	-	5.9	-	-	98.4
105.0	7.2	5.7	-	6.8	5.5	-	6.3	5.0	-	5.9	-	-	105.0
111.5	7.0	5.5	-	6.6	5.2	-	6.1	5.0	-	5.7	4.8	-	111.5
118.1	6.8	5.5	4.6	6.3	5.0	-	5.9	4.8	-	5.7	4.6	-	118.1
124.7	6.6	5.2	4.4	6.1	5.0	-	5.9	4.8	-	5.5	4.6	-	124.7
131.2	6.3	5.0	4.1	5.9	4.8	4.1	5.7	4.6	-	5.5	4.4	-	131.2
144.4	5.9	4.8	3.9	5.7	4.6	3.9	5.5	4.4	3.9	5.2	4.1	3.9	144.4
150.9	5.7	4.6	3.7	5.5	4.6	3.9	5.2	4.4	3.9	5.0	4.1	3.7	150.9
157.5	5.5	4.6	3.7	5.5	4.4	3.7	5.2	4.1	3.7	5.0	4.1	3.7	157.5
164.0	5.5	4.4	3.5	5.2	4.4	3.7	5.0	4.1	3.7	4.8	3.9	3.7	164.0
170.6	5.2	4.4	3.5	5.0	4.1	3.5	5.0	3.9	3.7	4.8	3.9	3.5	170.6
177.2	5.0	4.1	3.5	5.0	4.1	3.5	4.8	3.9	3.5	4.6	3.9	3.5	177.2
183.7	4.8	3.9	3.3	4.8	3.9	3.5	4.6	3.9	3.5	4.6	3.7	3.5	183.7
190.3	4.8	3.7	3.3	4.8	3.9	3.3	4.6	3.7	3.3	4.4	3.7	3.5	190.3
196.9	4.6	3.7	3.0	4.6	3.9	3.3	4.6	3.7	3.3	4.4	3.7	3.3	196.9
210.0	4.1	3.5	3.0	4.4	3.7	3.0	4.4	3.5	3.3	4.1	3.5	3.3	210.0
223.1	3.7	3.3	3.0	4.1	3.5	3.0	4.1	3.5	3.0	3.9	3.3	3.0	223.1
236.2	3.5	3.0	-	3.9	3.3	2.8	3.9	3.3	3.0	3.5	3.0	2.8	236.2
249.3	3.0	2.8	-	3.5	3.0	-	3.7	3.3	2.8	3.0	2.8	2.6	249.3
262.5	2.8	-	-	3.3	2.8	-	3.7	3.0	-	2.8	2.6	2.6	262.5
275.6	-	-	-	3.0	2.8	-	3.0	3.0	-	2.4	2.4	-	275.6
288.7	-	-	-	2.8	-	-	2.2	2.8	-	-	2.2	-	288.7

Operation

109,400 lbs		30.55 ft x 27.2 ft			3.6 ft + 114.5 ft			360°			ASME B30.5		
ft	44.0 ft			71.5 ft			99.1 ft			126.6 ft			ft
	0°	20°	40°	0°	20°	40°	0°	20°	40°	0°	20°	40°	
1,000 lbs													
23.0	13.8	-	-	11.6	-	-	-	-	-	-	-	-	23.0
26.2	13.4	-	-	12.5	-	-	-	-	-	-	-	-	26.2
29.5	13.0	-	-	12.5	-	-	10.5	-	-	-	-	-	29.5
32.8	12.3	-	-	12.5	-	-	10.5	-	-	9.2	-	-	32.8
36.1	12.1	-	-	12.1	-	-	10.5	-	-	10.1	-	-	36.1
39.4	11.6	-	-	11.9	-	-	10.5	-	-	10.1	-	-	39.4
45.9	10.8	-	-	11.2	-	-	10.5	-	-	10.1	-	-	45.9
52.5	10.1	-	-	10.5	-	-	10.3	-	-	10.1	-	-	52.5
59.1	9.2	-	-	9.9	-	-	9.9	-	-	9.9	-	-	59.1
65.6	8.8	7.7	-	9.2	7.7	-	9.4	-	-	9.4	-	-	65.6
72.2	8.1	7.2	-	8.8	7.2	-	9.0	7.2	-	9.0	-	-	72.2
78.7	7.7	6.8	-	8.3	7.0	-	8.5	6.8	-	8.8	6.8	-	78.7
85.3	7.2	6.3	-	7.9	6.6	-	8.1	6.6	-	8.3	6.6	-	85.3
91.9	6.8	5.9	-	7.4	6.3	-	7.7	6.3	-	7.9	6.3	-	91.9
98.4	6.1	5.5	4.8	7.0	5.9	5.0	7.4	6.1	-	7.7	6.1	-	98.4
105.0	5.7	5.0	4.4	6.8	5.7	4.6	7.0	5.9	4.8	7.2	5.9	-	105.0
111.5	5.0	4.6	4.1	6.3	5.2	4.4	6.8	5.7	4.6	7.0	5.7	4.6	111.5
118.1	4.6	4.4	3.9	5.9	5.0	4.1	6.6	5.5	4.4	6.8	5.5	4.6	118.1
124.7	4.4	3.9	3.7	5.5	4.6	3.9	6.1	5.2	4.1	6.6	5.2	4.4	124.7
131.2	3.9	3.7	3.5	5.0	4.4	3.7	5.9	4.8	3.9	6.3	5.0	4.1	131.2
137.8	3.7	3.5	3.3	4.8	4.1	3.5	5.7	4.6	3.7	6.1	5.0	3.9	137.8
144.4	3.3	3.3	3.0	4.4	3.9	3.5	5.5	4.4	3.7	5.9	4.8	3.9	144.4
150.9	3.0	3.0	-	4.1	3.7	3.3	5.0	4.1	3.5	5.7	4.6	3.7	150.9
157.5	-	-	-	3.7	3.5	3.3	4.8	3.9	3.5	5.5	4.4	3.5	157.5
164.0	-	-	-	3.5	3.3	3.0	4.4	3.7	3.3	5.2	4.1	3.5	164.0
170.6	-	-	-	3.3	3.0	-	4.1	3.5	3.3	5.0	3.9	3.3	170.6
177.2	-	-	-	3.0	3.0	-	3.9	3.5	3.0	4.6	3.7	3.3	177.2
183.7	-	-	-	-	-	-	3.7	3.3	3.0	4.4	3.7	3.3	183.7
190.3	-	-	-	-	-	-	3.5	3.0	-	4.1	3.5	3.0	190.3
196.9	-	-	-	-	-	-	3.3	3.0	-	3.9	3.3	3.0	196.9
210.0	-	-	-	-	-	-	-	-	-	3.5	3.0	-	210.0
223.1	-	-	-	-	-	-	-	-	-	3.3	3.0	-	223.1

ft	154.2 ft			181.8 ft			209.3 ft			229.7 ft			ft
	0°	20°	40°	0°	20°	40°	0°	20°	40°	0°	20°	40°	
1,000 lbs													
52.5	8.5	-	-	7.4	-	-	-	-	-	-	-	-	52.5
59.1	8.5	-	-	7.4	-	-	6.3	-	-	-	-	-	59.1
65.6	8.5	-	-	7.4	-	-	6.3	-	-	5.9	-	-	65.6
72.2	8.5	-	-	7.4	-	-	6.3	-	-	5.9	-	-	72.2
78.7	8.3	-	-	7.4	-	-	6.3	-	-	5.9	-	-	78.7
85.3	7.9	6.1	-	7.4	-	-	6.3	-	-	5.9	-	-	85.3
91.9	7.7	6.1	-	7.2	-	-	6.3	-	-	5.9	-	-	91.9
98.4	7.4	5.9	-	7.0	5.5	-	6.3	-	-	5.9	-	-	98.4
105.0	7.2	5.7	-	6.8	5.5	-	6.3	5.0	-	5.9	-	-	105.0
111.5	7.0	5.5	-	6.6	5.2	-	6.1	5.0	-	5.7	4.8	-	111.5
118.1	6.8	5.5	4.6	6.3	5.0	-	5.9	4.8	-	5.7	4.6	-	118.1
124.7	6.6	5.2	4.4	6.1	5.0	-	5.9	4.8	-	5.5	4.6	-	124.7
131.2	6.3	5.0	4.1	5.9	4.8	4.1	5.7	4.6	-	5.5	4.4	-	131.2
137.8	6.1	4.8	4.1	5.9	4.8	4.1	5.5	4.6	4.1	5.2	4.4	-	137.8
144.4	5.9	4.8	3.9	5.7	4.6	3.9	5.5	4.4	3.9	5.2	4.1	3.9	144.4
150.9	5.7	4.6	3.7	5.5	4.6	3.9	5.2	4.4	3.9	5.0	4.1	3.7	150.9
157.5	5.5	4.6	3.7	5.5	4.4	3.7	5.2	4.1	3.7	5.0	4.1	3.7	157.5
164.0	5.5	4.4	3.5	5.2	4.4	3.7	5.0	4.1	3.7	4.8	3.9	3.7	164.0
170.6	5.2	4.4	3.5	5.0	4.1	3.5	5.0	3.9	3.7	4.8	3.9	3.5	170.6
177.2	5.0	4.1	3.5	5.0	4.1	3.5	4.8	3.9	3.5	4.6	3.9	3.5	177.2
183.7	4.8	3.9	3.3	4.8	3.9	3.5	4.6	3.9	3.5	4.6	3.7	3.5	183.7
190.3	4.8	3.7	3.3	4.8	3.9	3.3	4.6	3.7	3.3	4.4	3.7	3.5	190.3
196.9	4.6	3.7	3.0	4.6	3.9	3.3	4.1	3.7	3.3	3.5	3.7	3.3	196.9
210.0	4.1	3.5	3.0	4.4	3.7	3.0	2.8	3.5	3.3	2.2	3.5	3.3	210.0
223.1	3.7	3.3	3.0	3.7	3.5	3.0	-	3.3	3.0	-	3.0	3.0	223.1
236.2	3.5	3.0	-	2.6	3.3	2.8	-	2.2	3.0	-	-	2.8	236.2
249.3	3.0	2.8	-	-	2.6	-	-	-	-	-	-	-	249.3

Operation

176,400 lbs		30.55 ft x 27.2 ft			3.6 ft + 35.8 ft			360°			ASME B30.5		
ft	44.0 ft			71.5 ft			99.1 ft			126.6 ft			ft
	0°	20°	40°	0°	20°	40°	0°	20°	40°	0°	20°	40°	
1,000 lbs													
9.8	43.4	-	-	-	-	-	-	-	-	-	-	-	9.8
13.1	43.4	-	-	43.4	-	-	-	-	-	-	-	-	13.1
16.4	43.4	-	-	43.4	-	-	-	-	-	-	-	-	16.4
19.7	42.9	33.0	-	43.4	-	-	43.4	-	-	-	-	-	19.7
23.0	39.9	31.3	-	43.4	-	-	43.4	-	-	-	-	-	23.0
26.2	37.2	29.7	-	43.4	31.3	-	43.4	-	-	43.4	-	-	26.2
29.5	34.8	28.2	-	41.0	30.2	-	42.9	-	-	43.4	-	-	29.5
32.8	32.6	26.8	22.9	38.8	29.1	-	41.0	29.5	-	42.5	-	-	32.8
36.1	30.8	25.7	22.2	36.8	27.9	22.9	39.2	28.6	-	41.0	29.1	-	36.1
39.4	29.1	24.6	21.6	35.0	27.1	22.4	37.6	27.7	-	39.4	28.2	-	39.4
45.9	26.4	22.9	20.7	31.9	25.3	21.6	34.8	26.2	21.6	36.8	26.8	-	45.9
52.5	24.2	21.3	19.8	29.3	23.8	20.7	32.4	24.9	20.9	34.6	25.5	21.1	52.5
59.1	22.2	20.2	18.7	27.1	22.7	20.0	30.2	23.8	20.2	32.4	24.4	20.5	59.1
65.6	20.5	18.7	17.8	25.3	21.6	19.6	28.2	22.7	19.8	30.6	23.5	20.0	65.6
72.2	18.2	17.4	-	23.8	20.7	18.9	26.6	21.8	19.4	29.1	22.7	19.6	72.2
78.7	-	-	-	22.4	19.8	18.2	25.3	21.1	18.9	27.5	22.0	19.1	78.7
85.3	-	-	-	21.1	19.1	17.8	24.0	20.5	18.7	26.2	21.1	18.9	85.3
91.9	-	-	-	19.8	18.0	-	22.9	19.8	18.5	25.1	20.7	18.5	91.9
98.4	-	-	-	18.2	17.4	-	21.8	19.1	18.0	24.0	20.0	18.2	98.4
105.0	-	-	-	-	-	-	21.1	18.9	17.6	23.1	19.6	18.0	105.0
111.5	-	-	-	-	-	-	20.2	18.2	15.4	22.2	19.1	17.8	111.5
118.1	-	-	-	-	-	-	19.4	17.6	-	21.6	18.7	17.8	118.1
124.7	-	-	-	-	-	-	18.0	17.1	-	20.9	18.5	17.6	124.7
131.2	-	-	-	-	-	-	-	-	-	20.2	18.2	17.4	131.2
137.8	-	-	-	-	-	-	-	-	-	19.6	17.8	-	137.8
144.4	-	-	-	-	-	-	-	-	-	18.9	17.4	-	144.4
150.9	-	-	-	-	-	-	-	-	-	18.0	16.9	-	150.9
157.5	-	-	-	-	-	-	-	-	-	14.1	-	-	157.5

ft	154.2 ft			181.8 ft			209.3 ft			229.7 ft			ft
	0°	20°	40°	0°	20°	40°	0°	20°	40°	0°	20°	40°	
1,000 lbs													
32.8	38.8	-	-	-	-	-	-	-	-	-	-	-	32.8
36.1	38.8	-	-	-	-	-	-	-	-	-	-	-	36.1
39.4	37.9	-	-	27.7	-	-	-	-	-	-	-	-	39.4
45.9	35.9	26.4	-	27.7	-	-	19.4	-	-	-	-	-	45.9
52.5	34.1	25.3	-	27.7	-	-	19.4	-	-	16.5	-	-	52.5
59.1	32.4	24.4	20.2	27.7	23.3	-	19.4	-	-	16.5	-	-	59.1
65.6	30.8	23.5	19.8	27.7	22.7	19.4	19.4	19.4	-	16.5	-	-	65.6
72.2	29.3	22.7	19.4	27.7	22.0	18.9	19.4	19.4	-	16.5	16.5	-	72.2
78.7	28.2	22.0	18.9	26.8	21.3	18.5	19.4	19.4	18.0	16.5	16.5	-	78.7
85.3	26.8	21.3	18.7	26.0	20.7	18.2	19.4	19.4	17.8	16.5	16.5	16.5	85.3
91.9	25.7	20.7	18.2	25.1	20.2	17.8	19.4	19.4	17.4	16.5	16.5	16.5	91.9
98.4	24.9	20.2	18.0	24.2	19.6	17.6	19.4	19.1	17.1	16.5	16.5	16.5	98.4
105.0	24.0	19.6	17.8	23.5	19.1	17.4	19.4	18.7	16.9	16.5	16.5	16.5	105.0
111.5	23.1	19.1	17.6	22.9	18.7	16.9	19.4	18.2	16.7	16.5	16.5	16.0	111.5
118.1	22.4	18.7	17.4	22.0	18.5	16.7	19.4	18.0	16.5	16.5	16.5	15.4	118.1
124.7	21.8	18.5	17.1	20.9	18.0	16.5	18.9	17.6	16.3	16.5	15.6	14.7	124.7
131.2	21.1	18.0	17.1	20.0	17.6	16.5	18.2	17.4	16.0	15.8	14.9	14.3	131.2
137.8	20.5	17.8	16.9	19.1	17.4	16.3	17.4	16.5	15.8	14.9	14.3	13.6	137.8
144.4	20.0	17.6	16.9	18.5	17.1	16.0	16.7	16.0	15.6	14.1	13.6	13.2	144.4
150.9	18.7	17.4	16.9	17.8	16.9	16.0	16.0	15.4	15.2	13.4	13.0	12.5	150.9
157.5	17.1	17.1	16.9	16.9	16.3	16.0	15.4	14.7	14.5	12.7	12.3	12.1	157.5
164.0	15.6	16.3	-	16.0	15.8	15.6	14.9	14.3	14.1	12.1	11.9	11.6	164.0
170.6	14.5	14.7	-	14.7	15.2	15.2	14.3	13.8	13.6	11.4	11.2	11.2	170.6
177.2	14.1	13.8	-	13.6	14.3	14.5	13.2	13.4	13.2	10.8	10.8	10.8	177.2
183.7	13.6	-	-	12.7	13.0	12.3	12.1	12.7	12.7	10.3	10.1	10.3	183.7
190.3	-	-	-	12.3	12.1	-	11.0	11.6	12.1	9.7	9.7	9.9	190.3
196.9	-	-	-	11.6	11.6	-	10.1	10.5	11.0	9.0	9.2	9.4	196.9
210.0	-	-	-	10.5	-	-	8.3	8.8	-	7.9	8.3	8.5	210.0
223.1	-	-	-	-	-	-	6.8	7.0	-	6.3	7.0	7.0	223.1
236.2	-	-	-	-	-	-	5.5	5.7	-	5.0	5.5	-	236.2
249.3	-	-	-	-	-	-	-	-	-	3.9	4.1	-	249.3

Operation

109,400 lbs		30.55 ft x 27.2 ft			3.6 ft + 35.8 ft			360°			ASME B30.5		
ft	44.0 ft			71.5 ft			99.1 ft			126.6 ft			ft
	0°	20°	40°	0°	20°	40°	0°	20°	40°	0°	20°	40°	
1,000 lbs													
9.8	43.4	-	-	-	-	-	-	-	-	-	-	-	9.8
13.1	43.4	-	-	43.4	-	-	-	-	-	-	-	-	13.1
16.4	43.4	-	-	43.4	-	-	-	-	-	-	-	-	16.4
19.7	42.9	33.0	-	43.4	-	-	43.4	-	-	-	-	-	19.7
23.0	39.9	31.3	-	43.4	-	-	43.4	-	-	-	-	-	23.0
26.2	37.2	29.7	-	43.4	31.3	-	43.4	-	-	43.4	-	-	26.2
29.5	34.8	28.2	-	41.0	30.2	-	42.9	-	-	43.4	-	-	29.5
32.8	32.6	26.8	22.9	38.8	29.1	-	41.0	29.5	-	42.5	-	-	32.8
36.1	30.8	25.7	22.2	36.8	27.9	22.9	39.2	28.6	-	41.0	29.1	-	36.1
39.4	29.1	24.6	21.6	35.0	27.1	22.4	37.6	27.7	-	39.4	28.2	-	39.4
45.9	26.4	22.9	20.7	31.9	25.3	21.6	34.8	26.2	21.6	36.8	26.8	-	45.9
52.5	24.2	21.3	19.8	29.3	23.8	20.7	32.4	24.9	20.9	34.6	25.5	21.1	52.5
59.1	22.2	20.2	18.7	27.1	22.7	20.0	30.2	23.8	20.2	32.4	24.4	20.5	59.1
65.6	20.5	18.7	17.8	25.3	21.6	19.6	28.2	22.7	19.8	30.6	23.5	20.0	65.6
72.2	18.2	17.4	-	23.8	20.7	18.9	26.6	21.8	19.4	29.1	22.7	19.6	72.2
78.7	-	-	-	22.4	19.8	18.2	25.3	21.1	18.9	27.5	22.0	19.1	78.7
85.3	-	-	-	21.1	19.1	17.8	24.0	20.5	18.7	26.2	21.1	18.9	85.3
91.9	-	-	-	19.8	18.0	-	22.9	19.8	18.5	25.1	20.7	18.5	91.9
98.4	-	-	-	18.2	17.4	-	21.8	19.1	18.0	24.0	20.0	18.2	98.4
105.0	-	-	-	-	-	-	21.1	18.9	17.6	22.7	19.6	18.0	105.0
111.5	-	-	-	-	-	-	20.2	18.2	15.4	21.8	19.1	17.8	111.5
118.1	-	-	-	-	-	-	19.4	17.6	-	19.8	18.5	17.8	118.1
124.7	-	-	-	-	-	-	18.0	17.1	-	17.8	18.0	17.6	124.7
131.2	-	-	-	-	-	-	-	-	-	16.9	16.9	17.1	131.2
137.8	-	-	-	-	-	-	-	-	-	16.0	15.8	-	137.8
144.4	-	-	-	-	-	-	-	-	-	14.9	15.2	-	144.4
150.9	-	-	-	-	-	-	-	-	-	13.6	14.1	-	150.9
157.5	-	-	-	-	-	-	-	-	-	12.7	-	-	157.5

ft	154.2 ft			181.8 ft			209.3 ft			229.7 ft			ft
	0°	20°	40°	0°	20°	40°	0°	20°	40°	0°	20°	40°	
1,000 lbs													
32.8	38.8	-	-	-	-	-	-	-	-	-	-	-	32.8
36.1	38.8	-	-	-	-	-	-	-	-	-	-	-	36.1
39.4	37.9	-	-	27.7	-	-	-	-	-	-	-	-	39.4
45.9	35.9	26.4	-	27.7	-	-	19.4	-	-	-	-	-	45.9
52.5	34.1	25.3	-	27.7	-	-	19.4	-	-	16.5	-	-	52.5
59.1	32.4	24.4	20.2	27.7	23.3	-	19.4	-	-	16.5	-	-	59.1
65.6	30.8	23.5	19.8	27.7	22.7	19.4	19.4	19.4	-	16.5	-	-	65.6
72.2	29.3	22.7	19.4	27.7	22.0	18.9	19.4	19.4	-	16.5	16.5	-	72.2
78.7	28.2	22.0	18.9	26.8	21.3	18.5	19.4	19.4	18.0	16.5	16.5	-	78.7
85.3	26.8	21.3	18.7	26.0	20.7	18.2	19.4	19.4	17.8	16.5	16.5	16.5	85.3
91.9	25.7	20.7	18.2	25.1	20.2	17.8	19.4	19.4	17.4	16.5	16.5	16.5	91.9
98.4	24.6	20.2	18.0	24.2	19.6	17.6	19.4	19.1	17.1	16.5	16.5	16.5	98.4
105.0	23.1	19.6	17.8	22.9	19.1	17.4	19.4	18.7	16.9	16.5	16.5	16.5	105.0
111.5	21.8	19.1	17.6	20.2	18.7	16.9	19.4	18.2	16.7	16.5	16.5	16.0	111.5
118.1	20.2	18.7	17.4	19.4	18.5	16.7	17.8	18.0	16.5	16.5	16.5	15.4	118.1
124.7	18.2	18.0	17.1	17.6	17.6	16.5	15.8	17.4	16.3	15.4	15.6	14.7	124.7
131.2	16.3	17.4	16.7	15.8	16.9	16.3	14.1	15.4	16.0	13.6	14.9	14.3	131.2
137.8	15.6	15.6	16.3	14.3	15.2	15.8	12.3	13.6	14.5	12.1	13.4	13.6	137.8
144.4	14.5	14.5	14.5	12.7	13.8	14.3	11.0	12.1	13.0	10.8	11.9	12.7	144.4
150.9	13.2	13.8	13.8	11.4	12.3	13.0	9.7	10.8	11.4	9.4	10.5	11.2	150.9
157.5	12.1	12.5	13.0	10.3	11.0	11.6	8.3	9.4	10.1	8.1	9.2	9.9	157.5
164.0	11.0	11.4	-	9.2	9.9	10.3	7.2	8.3	8.8	7.0	8.1	8.8	164.0
170.6	10.1	10.3	-	8.3	8.8	9.2	6.3	7.2	7.7	6.1	7.0	7.7	170.6
177.2	9.2	9.4	-	7.4	7.9	8.1	5.5	6.1	6.6	5.0	5.9	6.6	177.2
183.7	8.5	-	-	6.6	7.0	7.2	4.6	5.2	5.7	4.4	5.0	5.5	183.7
190.3	-	-	-	5.7	6.1	-	3.7	4.4	4.8	3.5	4.1	4.6	190.3
196.9	-	-	-	5.0	5.5	-	3.0	3.7	3.9	2.8	3.5	3.9	196.9
210.0	-	-	-	3.9	-	-	-	2.2	-	-	-	2.4	210.0

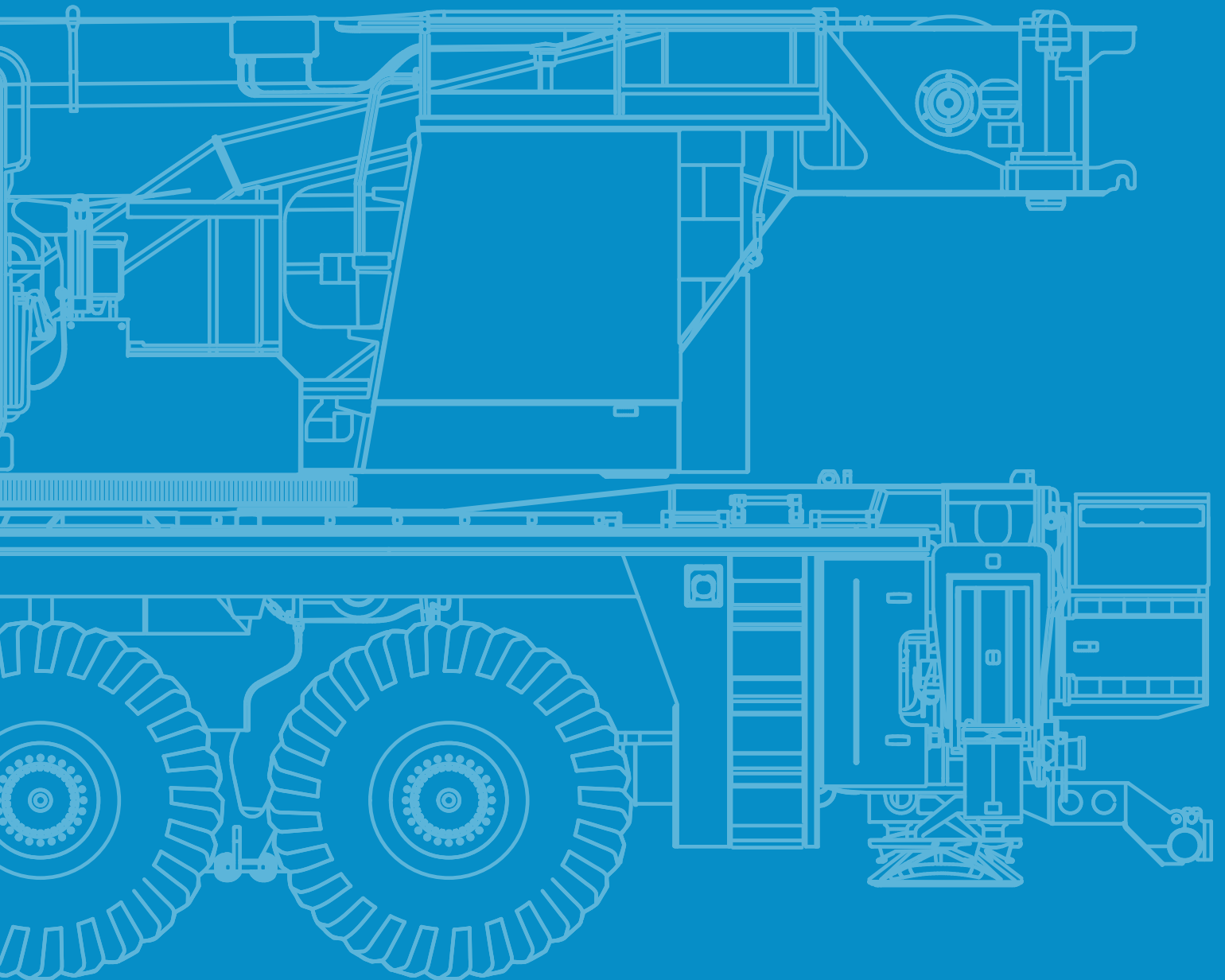
Notes to Lifting Capacity

Ratings are in compliance with ASME B30.5.
Lifting capacities do not exceed 85 % of tipping load.

Weight of hook blocks and slings is part of the load, and is to be deducted from the capacity ratings.
Consult operation manual for further details.

Note: Data published herein is intended as a guide only and shall not be construed to warrant applicability for lifting purposes.
Crane operation is subject to the computer charts and operation manual both supplied with the crane.

TECHNICAL DESCRIPTION



Technical Description

Basic machine

Equipment carrier

Engine 390-5	Mercedes-Benz OM471LA; Diesel engine; Output 390 kW / 1600 ¹ /min (530 HP), torque 2600 Nm / 1300 ¹ /min; The engine complies with EU Stage V / Tier 4F; Exhaust system complete stainless steel with SCR catalyzer.
Fuel tank	171 gallons Diesel (no RME / biodiesel); 11 gallons Ad-Blue tank.
Transmission ZF TraXon	Automated manual transmission with integrated hydraulic secondary retarder, 12 forward gears, and two reverse gears; Two-stage transfer case with engageable center-differential lock.
Axles 10 x 6 x 10	All 5 axles steered, axles 2, 4, 5 driven and equipped with selectable transverse lock.
Suspension	Hydropneumatic suspension with axle load compensation; Hydraulically lockable; Manual or automatic levelling alternatively.
Steering	Dual circuit hydro servocom steering with emergency steering pump; Active rear axle steering.
Brakes	Pneumatic dual-circuit service brake with ABS, acting on all wheels; Disc brakes; Additional two-stage decompression brake; Spring-loaded parking brake. Retarder as a non-wearing continuous service brake integrated into the transmission.
Tires	Tires size 385/95 R25 (14.00R25); Steel rim 9,5-25/1,7"
Cab 2850	Type 9.35 ft; Adjustable driver seat, armrests and pneumatic suspension; Height and tilt-adjustable steering wheel; Auxiliary/passenger seat; Powered door windows; Tinted glass; Electrically adjustable rear-view mirrors, heated; Radio; Seat heating; Heating engine-dependent; Aircondition.
Rear view camera	Display in carrier cab; Camera mounted on rear of vehicle.
Drive lights	Including low beam, upper beam, daytime running lights, fog lights and cornering lights.
Central lubrication	Automatic central lubrication system for the lubricating points at the carrier.
Outriggers	H-4-Point design; Vertical and horizontal movement fully hydraulic; Manual or automatic levelling alternatively. 5 outrigger bases: 9.0 ft, 13.6 ft, 18.1 ft, 22.7 ft and 27.2 ft. 4 square outrigger pads with transport position at vertical cylinder.
Outrigger basis monitoring	Individual monitoring of horizontal stroke; Deviation warning in crane cab.
Outrigger load indicator	The outrigger load is indicated in the operator cab and the outrigger control box.
Electronic immobiliser system	Prevents uncontrolled carrier mobilisation; Incl. 4 ignition keys.
Pneumatic tire filling plug	For self-filling of the wheels.

Equipment superstructure

Telescopic boom	44.0 ft - 229.7 ft; Single cylinder telescoping system, automatic telescoping; Attachments for all equipment and extensions; 7 sheaves integrated in boom head for max. capacity of 286,600 lbs.
Boom luffing	1 luffing cylinder with automatic lowering brake valve.
Rotary drive	Single slewing gear unit with spring-loaded multi-disc brake.
H1	Hoist with spring-loaded multi-disc brake; Resolver (hoist rotation indicator).
Counterweight 109,400 lbs	7 pieces (① – ⑤); Automatic rigging system.
Control system	Enabling 4 simultaneous working movements; Electric pilot controls via 2 two-axis joysticks; Different control modes selectable for hydraulic circuits.
Operator aids	IC-1, with integrated electronic load moment indicator in accordance with EN13000; Color display; Displaying of current operating conditions, load charts, fault indicator; Signal lights indicating LMI-load; Crane data logger.
Working range limiter	Displaying and programmability of the work range limits by IC-1.
IC-1 Plus	Smart crane control system for main boom operation enabling higher lifting capacities especially over outriggers. Enables safe use of the full capacity of the crane even in asymmetric outrigger configurations. Outriggers can be positioned independently. Capacity precalculation for +/- 30° slewing angle and radius area. In-cab lift simulation.
IC-1 Remote	IC-1 Remote, Tadano telematic system.
Cab 875	Type 2.87 ft; Tilt infinitely variable 16°; Sliding window rear; Fold-out front window; Extendable side pedestal, front pedestal; Handrails; Tinted safety glass; Pull-down sun visor; Radio; Seat heating; Heating engine-independent; Aircondition.
Central lubrication	Automatic central lubrication system for the lubricating points at the superstructure.

Technical Description

Additional equipment

Carrier

Axles 10 x 8 x 10	All 5 axles steered, axles 1, 2, 4, 5 driven and equipped with selectable transverse lock.
Wear-free auxiliary brake	Wear-free auxiliary eddy-current brake.
Tires	10 tires; Tire size 445/95R25 (16.00R25) or 525/80 (20.5R25).
Tadano Surround View	360° view during road travelling; Indication in display of carrier cabin. Usable as assistance system when entering jobsite with indication of outrigger positions and tailswing of counterweight.

Superstructure

Heavy lift attachment	2 additional sheaves; Dis-/connectable; For total 9 sheaves at boom head; Max. capacity 387,700 lbs.
2. hoist (H2)	Spring-loaded multi-disc brake; Integrated resolver (hoist rotation indicator); Quick couplings; Incl. hoist monitoring.
Additional counterweight 67,000 lbs	4 pieces; for total 176,400 lbs.
Load supervision camera	Camera mounted on main boom head to supervise the hook block and load from above; Incl. boom head light on boom head.

Handling

Remote control	Rigging and superstructure movements controlled via radio remote control.
-----------------------	---

Extensions

FOJ 3.6 ft + 15.4 ft	Folding swing-away jib, manual offset 20°/40°; 3-sheaves head; Incl. transport storage.
FOJ 3.6 ft + 35.8 ft	Folding swing-away jib, manual offset 20°/40°; 1-sheave head; Incl. transport storage.
19.7 ft adapter	Lattice adapter for usage with FOJ; Possible configurations FOJ 23.3 ft + 15.4 ft – FOJ 23.3 ft + 114.5 ft.
FOJ 19.7 ft inserts	Up to 4 x 19.7 ft intermediate section for usage with FOJ, self-rigging possible.
FOJ hydraulic	Hydraulic, stepless offset 0°-40°, instead of the manual offset; Available for FOJ 3.6 ft + 15.4 ft – FOJ 3.6 ft + 114.5 ft and FOJ 23.3 ft + 15.4 ft + FOJ 23.3 ft + 114.5 ft.
HTOJ 6.2 ft + 68.6 ft	Hydraulically telescopable and offsetable main boom extension; Length 6.2 ft + 27.9 ft – 6.2 ft + 68.6 ft; Hydraulic offset 5°-60°.
R (runner)	1.3 ft + 3.9 ft; Variable assembly jib with manual offset; 1-sheave, for max. 43,400 lbs lifting capacity.

Hook Blocks

Hook block 441,000 lbs, 9-sheaves	Max. capacity 379,900 lbs; 3,530 lbs; Double hook, red with white signal stripes.
Hook block 352,800 lbs, 7-sheaves	Max. capacity 305,800 lbs; 2,870 lbs; Double hook, red with white signal stripes.
Hook block 275,600 lbs, 5-sheaves	Max. capacity 228,700 lbs; 2,540 lbs; Double hook, red with white signal stripes.
Hook block 176,400 lbs, 3-sheaves	Max. capacity 148,400 lbs; 1,760 lbs; Double hook, red with white signal stripes.
Hook block 176,400 lbs, 3-sheaves	Max. capacity 148,400 lbs; 1,760 lbs; Single hook, red with white signal stripes.
Hook block 70,500 lbs, 1-sheave	Max. capacity 64,800 lbs; 990 lbs; Single hook, red with white signal stripes.
Hook 22,050 lbs	Max. capacity 21,800 lbs; 660 lbs; Single hook, red.

Further additional equipment on request!

Weight data may deviate from posted values based on road / travel configuration, equipment configuration, and component weight tolerances.

tac.sales@tadano.com
www.tadano.com

Tadano Ltd.

Kanda Square 18th Floor, 2-2-1 Kanda-Nishikicho, Chiyoda-ku, Tokyo 101-0054, Japan
Phone: +81-3-6811-7309 (International Division)

Tadano America Corporation

4242 West Greens Road, Houston, TX 77066
Phone: +1 (281) 869-00300 · Fax: +1 (281) 869-0040



Reaching new heights

